

ENGINE 112 in MODEL 210, 202, 163.154 /157, 129

ENGINE 113 in MODEL 210, 208, 202, 163.172, 129

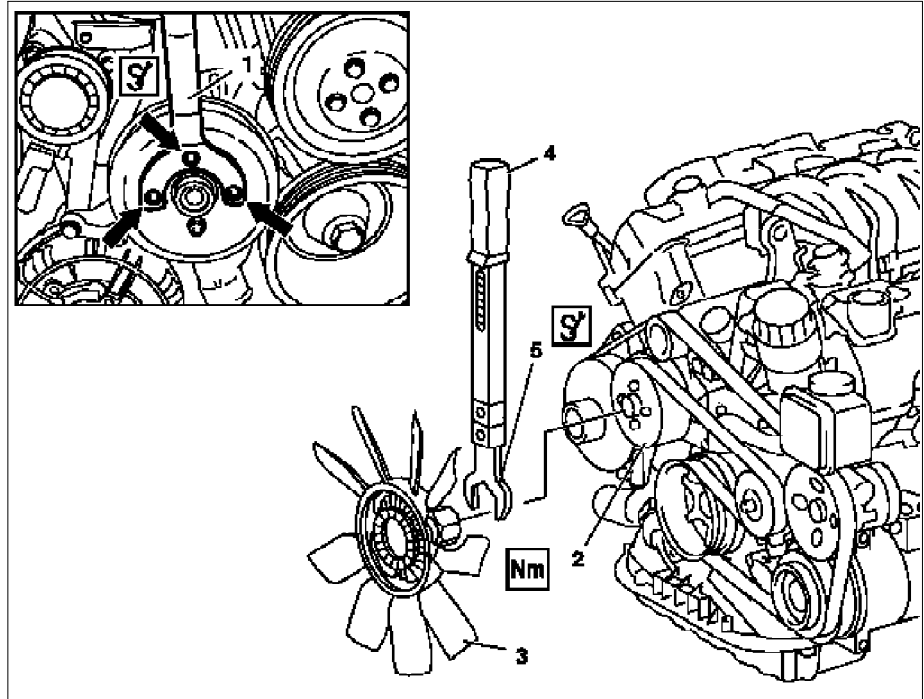
ENGINE 112.945 in MODEL 463.209 /232 /233 /244 /245 /250

ENGINE 113.962 in MODEL 463.206 /240 /241 /247 /248 /249 /254

ENGINE 113.982 in MODEL 463.243 /246

Shown on Engine 112

- 1 Counterholder
- 2 Belt pulley
- 3 Viscous fan
- 4 Torque wrench
- 5 Open-end wrench bit



P20.40-0237-06

	Remove/Install		
1	Fit counterholder (1) on bolts of belt pulley (2), counterhold	Belt pulley of coolant pump 	*113589004000
2	Unscrew union nut at visocus fan (3)	Right-hand thread. Installation: Use torque wrench with open-end wrench bit. 	*BA20.40-P-1002-01B *113589000100
3	Unbolt fan at viscous clutch	Installation: The installation position of the fan is preset through cast-on ribs at fan ring. 	*BA20.40-P-1001-01B
4	Install in the reverse order		

Fan, fan clutch

Number	Designation	Engine	Engine
		112.910/911/912/ 913/914/915/ 916/917/920/ 921/922/923/ 940/941/942/ 943/944/945/ 946/947/949/ 951/953/954/ 955/960/961/ 970/972/973/975	113
BA20.40-P-1001-01B	Fan to viscous clutch	Nm 10	10
BA20.40-P-1002-01B	Viscous clutch to bearing body	Nm 45	45

