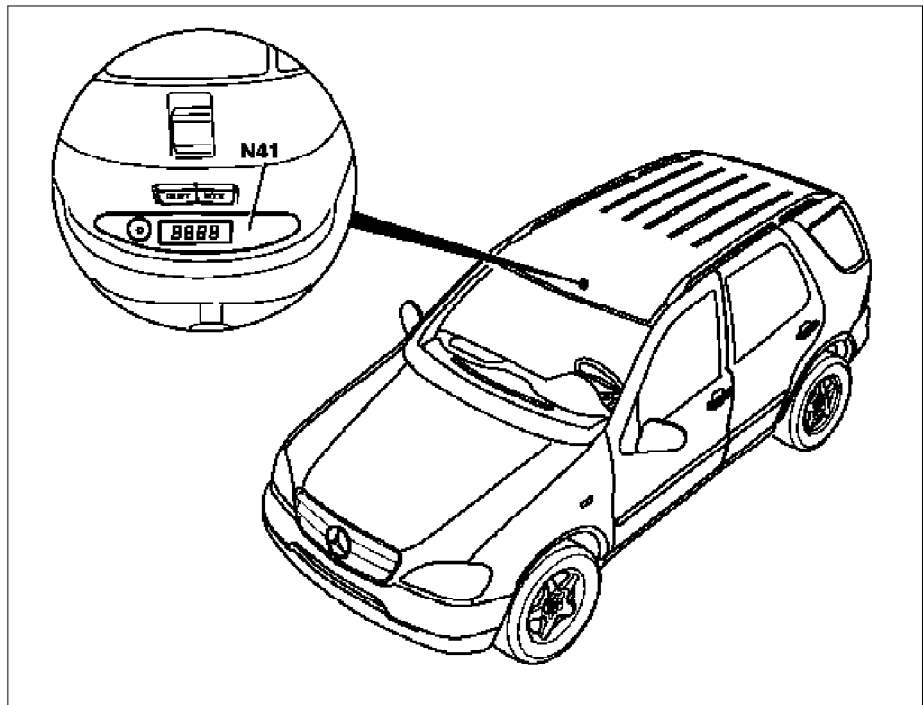


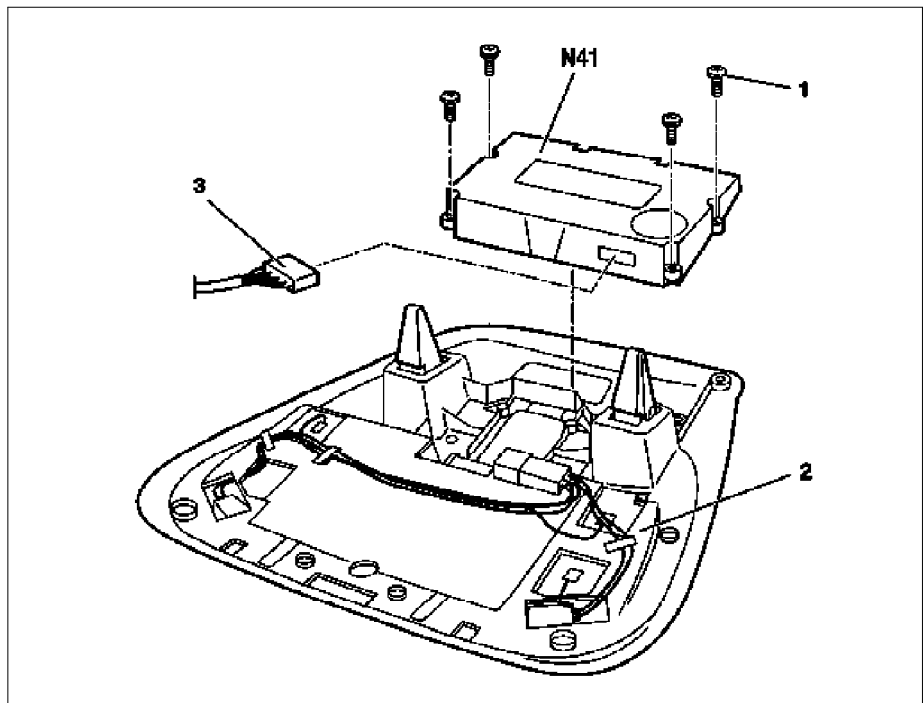
MODEL 163.113 /128 /136 /154 /157 /172 /174 /175 with CODE (245) Trip computer

N41 Trip computer control module

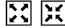




P54.50-0212-06

- 1 Bolts  
 2 Overhead control panel  
 3 Connector  
 N41 Trip computer control module



P54.50-2030-06

	Remove/install		
1	Ensure that the ignition key is in position "0".	 In order to prevent error codes.	AR54.10-P-0003A
2	Remove overhead control panel (2).		AR82.20-P-1100GH
3	Unscrew trip computer control module (N41) from overhead control panel (2).	 Unscrew screws (1) from control module.	
4	Detach connector (3) from trip computer control module (N41).		
5	Install in the reverse order		
6	Check that trip computer functions correctly.		