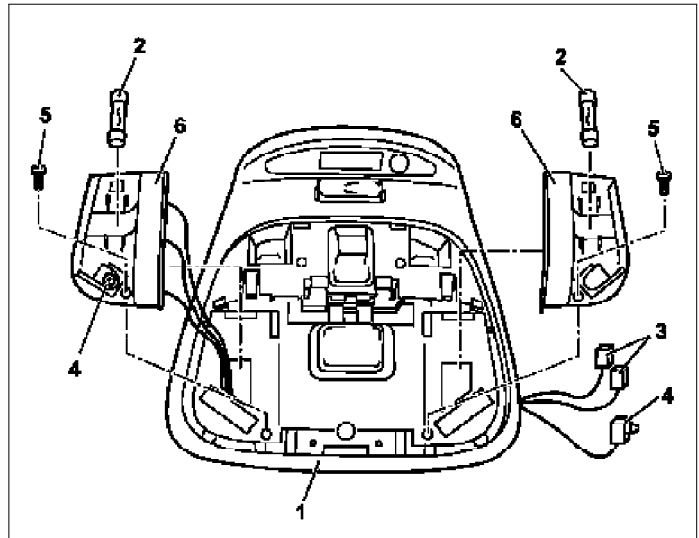
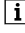



MODEL 163

- 1 Overhead control panel
- 2 Bulb
- 3 Socket
- 4 Dome lamp switch
- 5 Screws
- 6 Reflector housing



P82.20-0400-11

| ☒ ☒ | Removal, installation | | |
|-----|---|---|------------------|
| 1 | Remove overhead control panel (1) | | AR82.20-P-1100GH |
| 2 | Remove bulb (2) | | |
| 3 | Release socket (3) for bulb (2) by pressing in |  The bulb socket is clipped to the overhead control panel. | |
| 4 | Pull dome lamp switch (4) off of reflector housing (6) | | |
| 5 | Unscrew screws (5) from reflector housing (6) on left and right on overhead control panel (1) | | |
| 6 | Pry reflector housing (6) out of overhead control panel (1) |  Avoid damaging reflector housing | |
| 7 | Reinstall in opposite order | | |