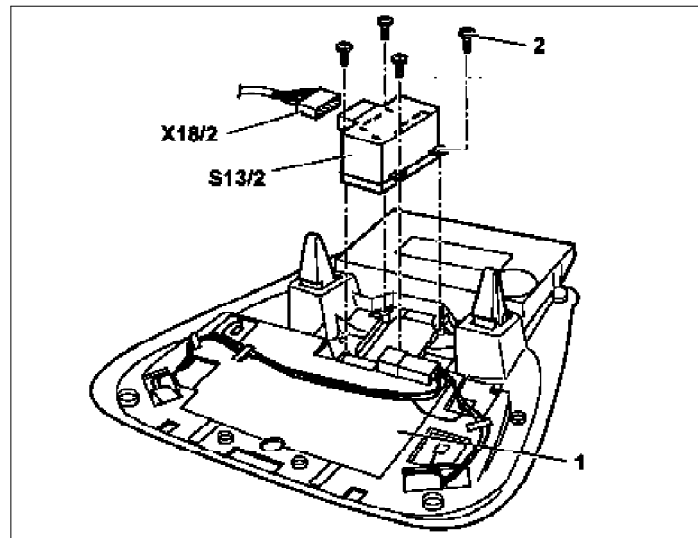


**MODEL 163 with CODE (414a) Electric glass pop-up/sliding roof**




1	Overhead control panel
2	Screws
S13/2	Sliding/pop-up roof switch
X18/2	Interior/roof connector



P77.20-0449-11

**Operation no. of operation texts or of standard texts and flat rates**

Division	Operation no.	Operation text
P	772650	REPLACING CONTROL SWITCH FOR SLIDING ROOF DRIVE
P	825602	REMOVING AND INSTALLING FRONT INTERIOR LAMP (1), REPLACING ACCORDING TO CONDITION

 	Removal, installation		
1	Remove overhead control panel (1)		AR82.20-P-1100GH
2	Remove sliding/pop-up roof switch (S13/2) from overhead control panel control module (1)	 Unscrew screws (2) from overhead control panel (1)	
3	Disconnect connector (X18/2)		
4	Install in opposite order		