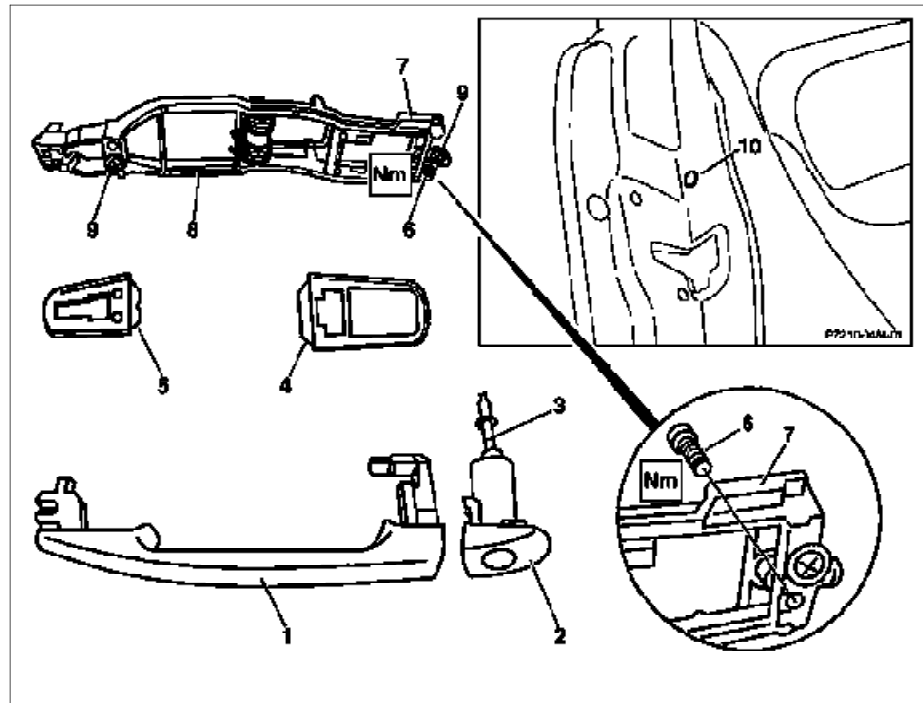


MODEL 163

- 1 Handle
- 2 Lock cylinder guide
- 3 Rotating rod
- 4 Base
- 5 Base
- 6 Screw
- 7 Retaining strap
- 8 Bearing bracket
- 9 Screw
- 10 Screw opening



P72.10-0488-06

Operation no. of operation texts or of standard texts and flat rates

Division	Operation no.	Operation text
P	727240	REPLACING OUTER DOOR HANDLE ON LEFT FRONT DOOR
P	727241	REPLACING OUTER DOOR HANDLE ON LEFT FRONT DOOR, WITHOUT BEARING BRACKET
P	727242	REPLACING OUTER DOOR HANDLE ON LEFT FRONT DOOR, WITH BEARING BRACKET
P	727243	REPLACING OUTER DOOR HANDLE ON LEFT FRONT DOOR (INCLUDING TRANSFERING LOCKING CYLINDER)
P	727265	REPLACING OUTER DOOR HANDLE ON RIGHT FRONT DOOR
P	727266	REPLACING OUTER DOOR HANDLE ON RIGHT FRONT DOOR, WITHOUT BEARING BRACKET
P	727267	REPLACING OUTER DOOR HANDLE ON RIGHT FRONT DOOR, WITH BEARING BRACKET
P	727268	REPLACING OUTER DOOR HANDLE ON RIGHT FRONT DOOR (INCLUDING TRANSFERING LOCKING CYLINDER)

Icon	Operation no.	Operation text	Notes
⊗ ⊗		Removal, installation	
1	Loosen screw (6)	i Accessible through opening (10) on inner side of door, loosen screw (6) max. 5 turns	
		Nm	*BA72.10-P-1003-01D
2	Pull off cylinder guide (2) outward to remove	i Installation: Insert rotary rod (3) into door lock actuating mechanism	
3	Pull handle (1) toward rear together with base (4) out of bearing bracket (8)		
4	Remove base (5)	i Installation: Insert base (5) into bearing bracket (8)	
5.1	Remove bearing bracket (8)	i Only if bearing bracket is defective. The bearing bracket (8) can only be removed through the installation opening in the inner door panel. For this purpose# Remove door liner on front door	AR72.10-P-1000GH
6	Install in opposite order		
7	Adjust clearance between handle (1) and actuating lever on door lock with eccentric adjustment screw	i Eccentric adjustment screw: Accessible through opening on end of door. Use Phillips screwdriver	
8	Check for proper function		

Number	Designation	Model 163
BA72.10-P-1003-01D	Screw for door handle	Nm 3

This document was created with Win2PDF available at <http://www.daneprairie.com>.
The unregistered version of Win2PDF is for evaluation or non-commercial use only.