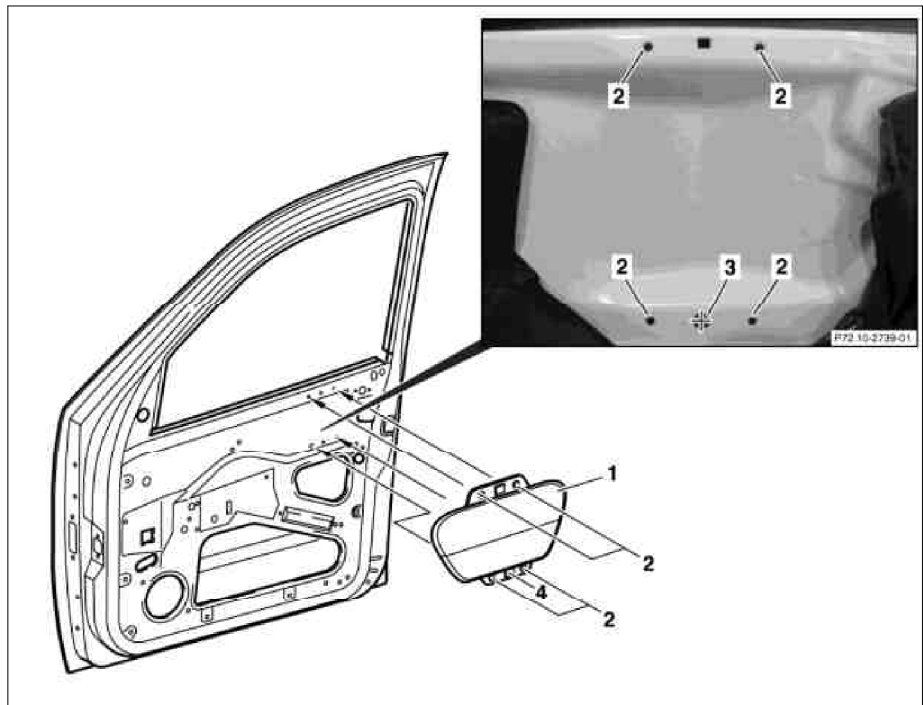


## MODEL 163.113 /128 /136 /154 /157 /172 /174 /175

- 1 Side airbag
- 2 Attachment hole
- 3 Locating hole
- 4 Locating pin



P72.10-2740-06

**i** Due to a design modification to the door skin, both parts must be checked when **exchanging** the door or the sidebag.

1	Check the replacement door to see if the aligning bore for the sidebag is present	<b>i</b> Should the replacement door <b>not</b> have an aligning bore and the sidebag is equipped with a fixing pin: # Modify the front door	SM72.10-P-0004A
2	Check to see if the fixing pin is present for the replacement sidebag	<b>i</b> If there is <b>no</b> fixing pin present on the sidebag, the door does <b>not</b> need to be modified.	