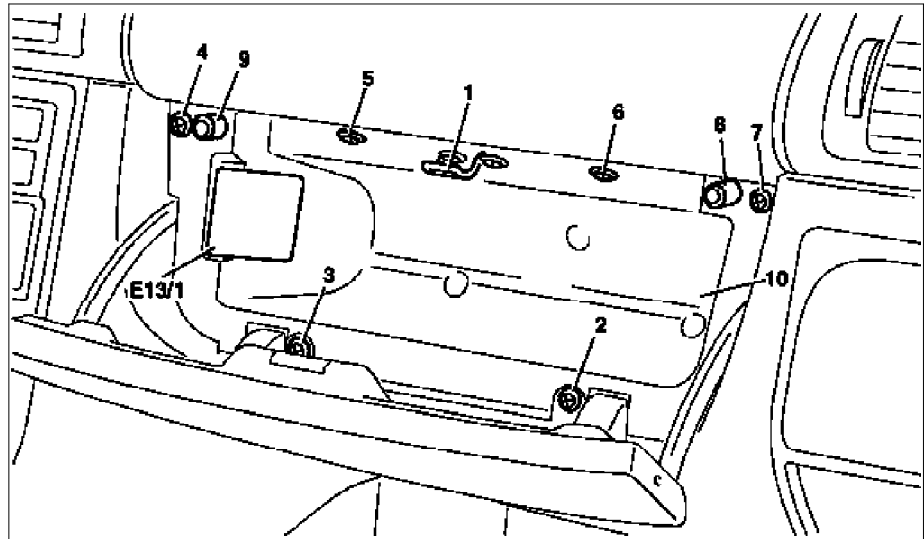


MODEL 163.136 /154 /172 #A up to 145272

- 1 Striker eye  
 2-7 Screws  
 8-9 Stop buffer  
 10 Glove compartment  
 E13/1 Glove compartment lamp



P68.10-0515-05

☒ ☒	Remove/Install		
1	Open glove compartment lid		
2	Unclip glove compartment lamp (E13/1) and disconnect connector		
3	Remove striker eye (1)	<b>i</b> <b>Installation:</b> Check adjustment. Refer to:# Adjust glove compartment lid.	AR68.10-P-1300GH
4	Unscrew screws (2-7)		
5	Pry glove compartment (10) out of arrest at bottom and pull out		
6	Install in the reverse order		