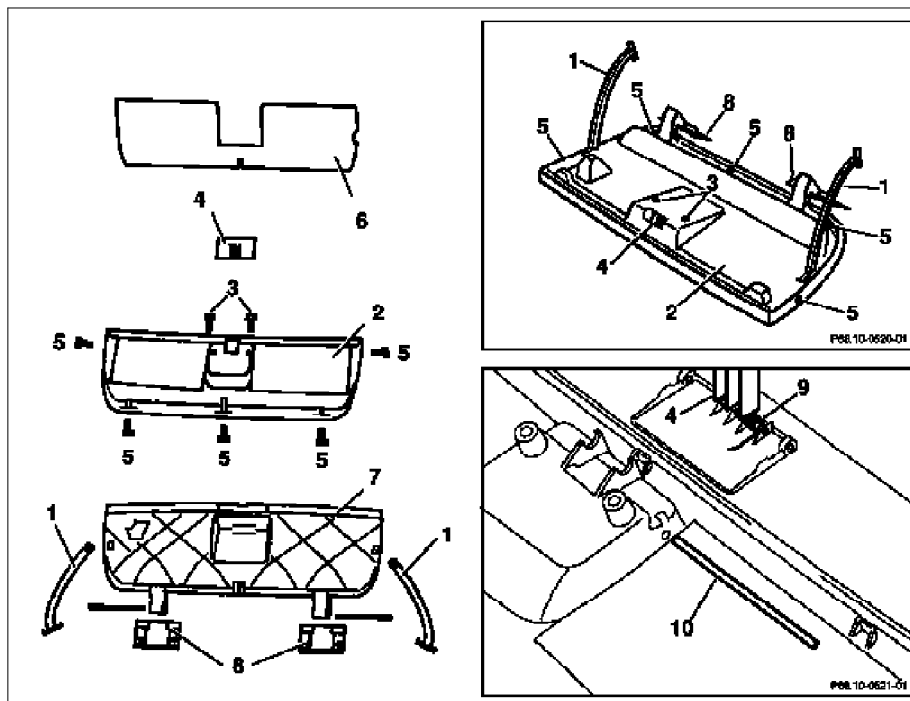
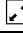

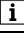
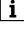
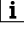


MODEL 163.136 /154 /172 up to 31.8.99

- 1 Stop lever
- 2 Inner section
- 3 Screw for catch
- 4 Glove compartment catch
- 5 Screw for inner section
- 6 Insert
- 7 Glove compartment lid
- 8 Hinge
- 9 Spring for catch
- 10 Pin for catch



P68.10-0518-06

 	Disassembly, assembly		
1	Remove glove compartment lid		AR68.10-P-1200GH
2	Unclip stop lever (1) from inner section (2)		
3	Remove hinges (8) on inner section (2)	 Remove hinge pins	
4	Unscrew screws (3) from lock (4)		
5	Unscrew screws (5) from glove compartment inner section (2)	 5 each.	
6	Remove inner section (2)		
7	Remove insert (6) from inner section (2)		
8	Unhook glove compartment catch (4) and spring (9)		
9	Remove glove compartment catch (4) from glove compartment lid (7)	 Drive out pin (10). Installation: Observe installation position for spring (9).	
10	Install in opposite order		