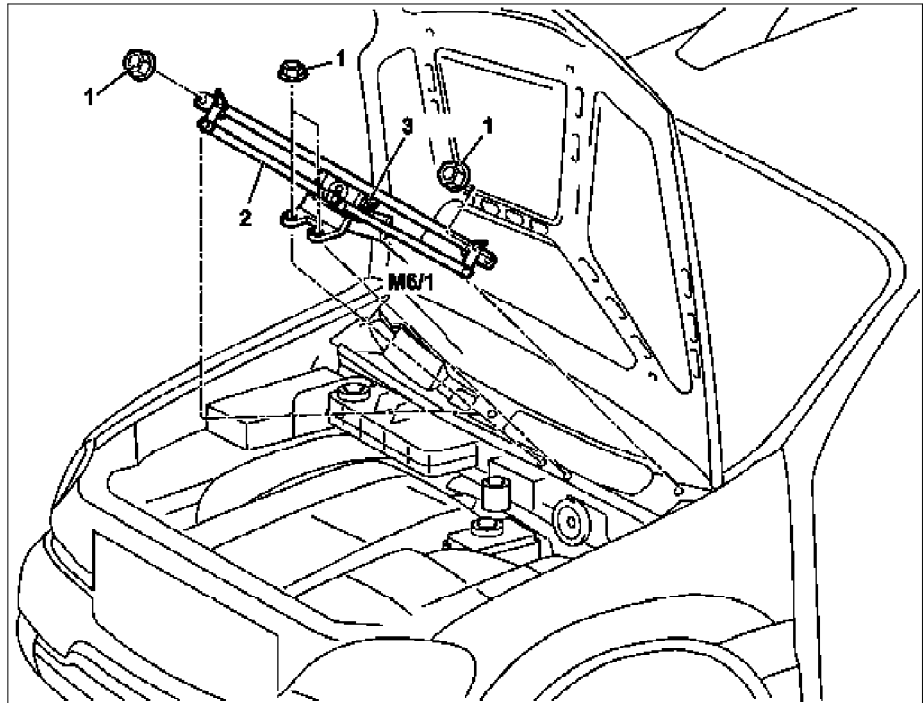


MODEL 163.113 /128 /136 /154 /157 /172 /174 /175

- 1 Nuts
 2 Wiper system
 3 Connector
 M6/1 Wiper motor



P82.30-0393-06

☒ ☒	Remove/install		
⚠ Danger!	Injury hazard by trapping or crushing, in extreme cases with loss of limbs when reaching into windshield wiper mechanism	Always remove ignition key when working on windshield wiper mechanism.	AS82.30-Z-0001-01A
1	Ensure that wiper motor is in park position		
2	Remove cover on air intake		AR83.25-P-1405GH
3	Unscrew nuts (1) on wiper arm		
4	Lift wiper system (2)		
5	Disconnect connector (3) from the wiper motor (M6/1)		
6	Remove wiper system (2)		
7	Install in the reverse order		