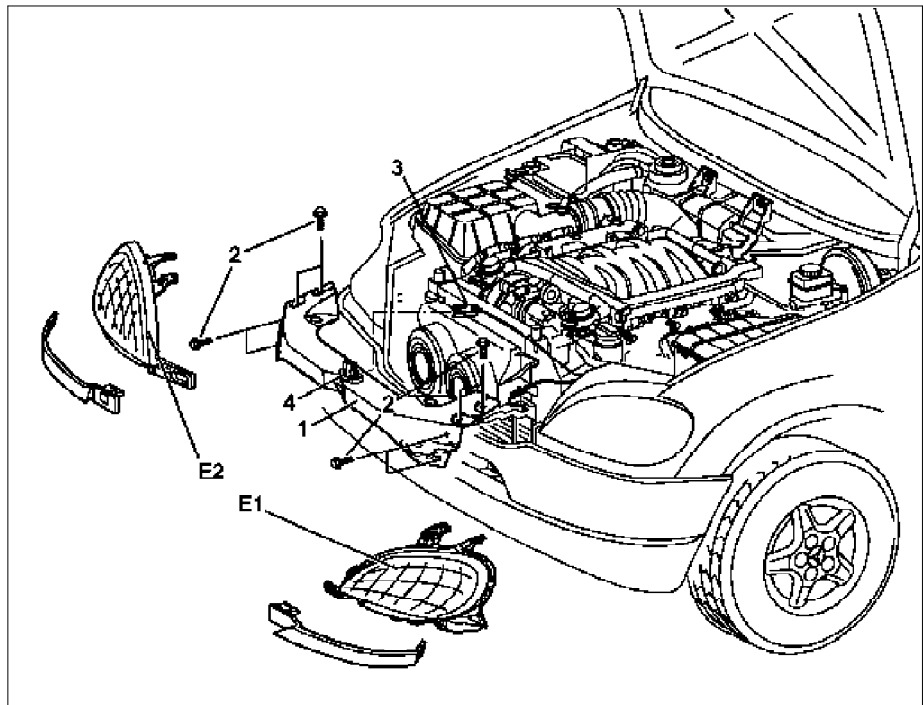


## MODEL 163

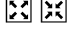

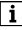
- 1 Upper frame cross member  
 2 Screws  
 3 Engine hood control cable  
 4 Engine hood lock  
 E1 Left headlamp unit  
 E2 Right headlamp unit



P62.30-0350-06

## Operation no. of operation texts or of standard texts and flat rates

Division	Operation no.	Operation text
P	621300	REPAIRING FRONT REINFORCEMENT BETWEEN WHEELHOUSES
P	621304	REPLACING FRONT LEFT AND CENTER REINFORCEMENT BETWEEN WHEELHOUSES
P	621305	REPLACING FRONT LEFT AND CENTER REINFORCEMENT BETWEEN WHEELHOUSES (WHEN REPLACING WHEELHOUSE TOGETHER WITH LONGITUDINAL MEMBER)
P	621311	REPLACING FRONT RIGHT AND CENTER REINFORCEMENT BETWEEN WHEELHOUSES
P	621312	REPLACING FRONT RIGHT AND CENTER REINFORCEMENT BETWEEN WHEELHOUSES (WHEN REPLACING WHEELHOUSE TOGETHER WITH LONGITUDINAL MEMBER)
P	621315	REPLACING FRONT CENTER REINFORCEMENT BETWEEN WHEELHOUSES
P	621320	COMPLETELY REPLACING FRONT REINFORCEMENT BETWEEN WHEELHOUSES
P	621321	COMPLETELY REPLACING FRONT REINFORCEMENT BETWEEN WHEELHOUSES (WHEN REPLACING WHEELHOUSE TOGETHER WITH LONGITUDINAL MEMBER)
P	882302	REMOVING AND INSTALLING FRONT END CENTER SECTION

	Removal, installation		
1	Remove headlamp unit on left (E1) and right (E2)		AR82.10-P-4730GH
2	Remove upper frame cross member (1)	 Unscrew screws (2).	
3	Remove engine hood control cable (3) from engine hood lock (4)	 For this purpose turn upper frame cross member over. Unhook engine hood control cable and pry catch out of upper frame cross member.	
4	Remove upper frame cross member (1)		
5	Install in opposite order		