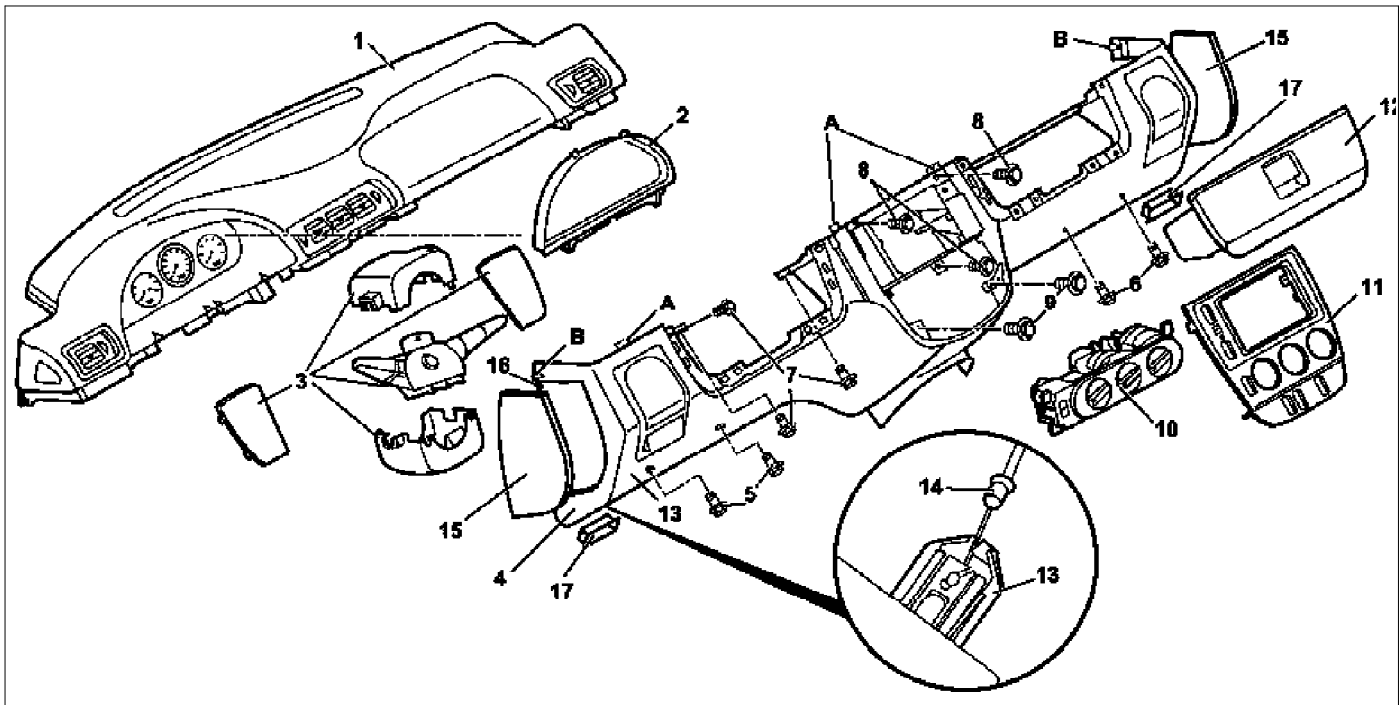


MODELS 163.113 /128 /136 /154 /157 /172 /174 /175



P68.10-2226-09

- | | | | | | |
|---|------------------------------------|----|---------------------------------|----|-----------------|
| 1 | Instrument panel | 8 | Bolts | 15 | Paneling |
| 2 | Instrument cluster cover frame | 9 | Bolts | 16 | Bolt |
| 3 | Combination switch with paneling | 10 | Heater/ventilation switch | 17 | Entrance lamps |
| 4 | Bottom section of instrument panel | 11 | Instrument panel center section | A | Spreading clips |
| 5 | Screws in left footwell | 12 | Glove compartment | B | Guide tongues |
| 6 | Screws in right footwell | 13 | Parking brake release handle | | |
| 7 | Bolts | 14 | Parking brake control cable | | |

	Remove/install		
1	Shift transmission selection lever to position "1"	Secure vehicle to prevent it moving away.	
2	Disconnect ground cable of battery		AR54.10-P-0003A
3	Remove combination switch with paneling (3)		AR54.25-P-2800GH
4	Remove cover frame of instrument cluster (2)		
5	Unscrew the screws (7).	3 screws up to 08/99. 1 screw as of 09/99.	
6	Unscrew screws in left footwell (5) on the lower part of the instrument panel (4)		
7	Remove center section of instrument panel (11)		AR68.10-P-1030GH
8	Remove switch unit for heater / ventilation (10)	Up to 31.08.01. As of 01.09.01.	AR83.20-P-1835GH AR83.40-P-6500GH
9	Unscrew screws (8, 9)		
10	Remove glove compartment (12)	Up to 31.08.99. As of 01.09.99.	AR68.10-P-1400GH AR68.10-P-1400GI
11	Unscrew screws in the right footwell (6) on the lower part of the instrument panel (4)		
12.1	Unclip entrance lamps (17) and disconnect electrical connectors	As of 09/99.	
13.1	Remove paneling (15) and unscrew screws (16)	As of 09/99.	
14	Unclip lower part of instrument panel (4) at the four expanding clips (A) on the instrument panel (1)	Installation: Ensure that guide lugs (B) are properly seated in the mounts on the instrument panel.	
15	Unhook the Bowden cable of the parking brake (14) at the release handle of the parking brake (13)		
16	Remove bottom section of instrument panel (4)	Do not damage instrument panel when removing and installing.	
17	Install in the reverse order		
18	Read diagnostic trouble code memory and erase		

