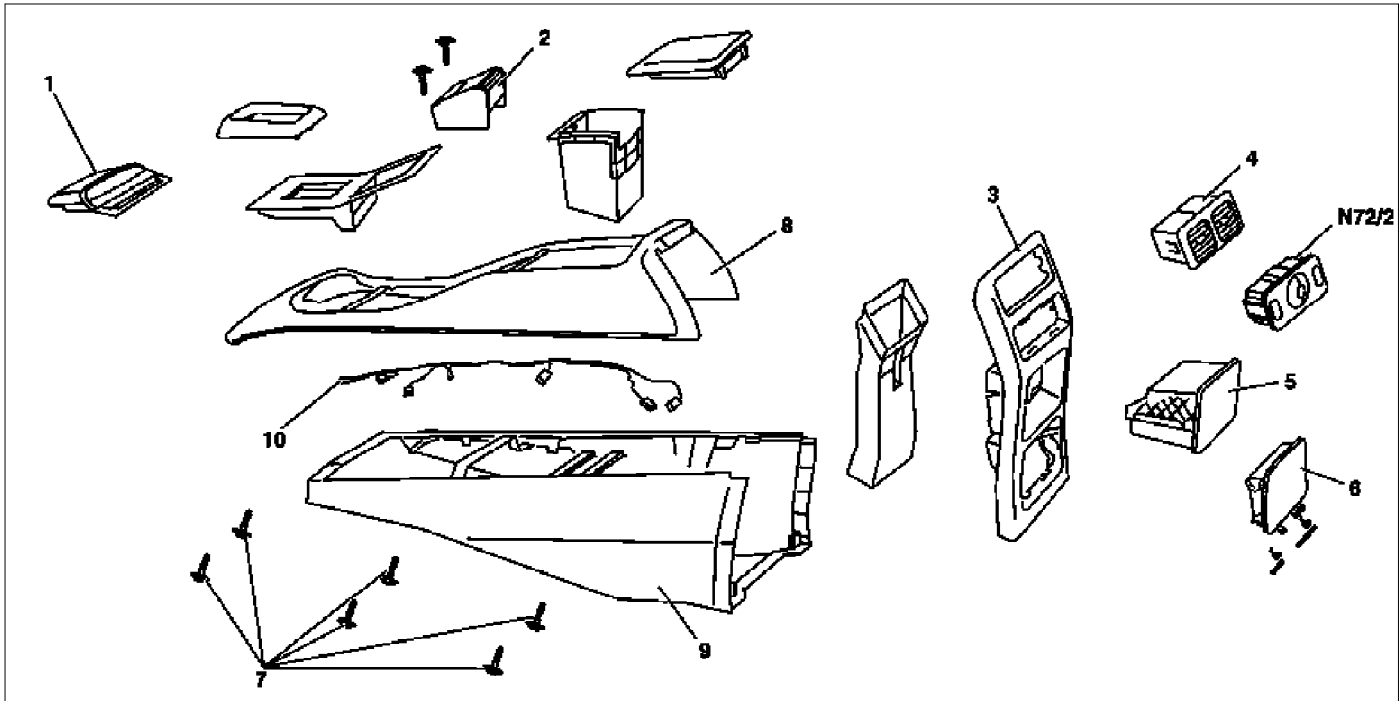


MODEL 163.113 /154 /174 #A as of 289565,  
163.113 #X as of 754620,  
163.128 /157 /175



P68.20-2513-09

☑ ☑	Disassemble/assemble		
1	Remove center console		AR68.20-P-2000GH
2	Lay center console down on suitable subsurface		
3	Remove front ashtray (1)		AR68.20-P-2400GI
4	Remove storage compartment (2)		
5	Remove rear center console (3)		AR68.20-P-2020GI
6	Remove rear air nozzle (4)		AR83.10-P-4800GH
7	Remove RCP console module (N72/2)		AR68.20-P-2210GH
8.1	Remove rear beverage holder (5)	Model 163.154 #A as of VIN 145273 up to VIN 289564, model 163.172 #A as of VIN 145273, model 163.113 /174 #A up to VIN 289564, model 163.136 /154 /172 #X as of VIN 708319, model 163.113 #X up to VIN 754619 Model 163.113 /154 /174 #A as of VIN 289565, model 163.113 #X as of VIN 754620 model 163.128 /157 /175	AR68.20-P-2220GH  AR68.20-P-2220GI
9	Remove rear ashtray (6)		AR68.20-P-2230GH
10	Remove bolts (7) for center console from top and bottom section	i 6 bolts.	
11	Remove top section (8) and bottom section (9) from center console		
12	Remove interior wiring harness (10) from center console		
13	Assemble in reverse order		