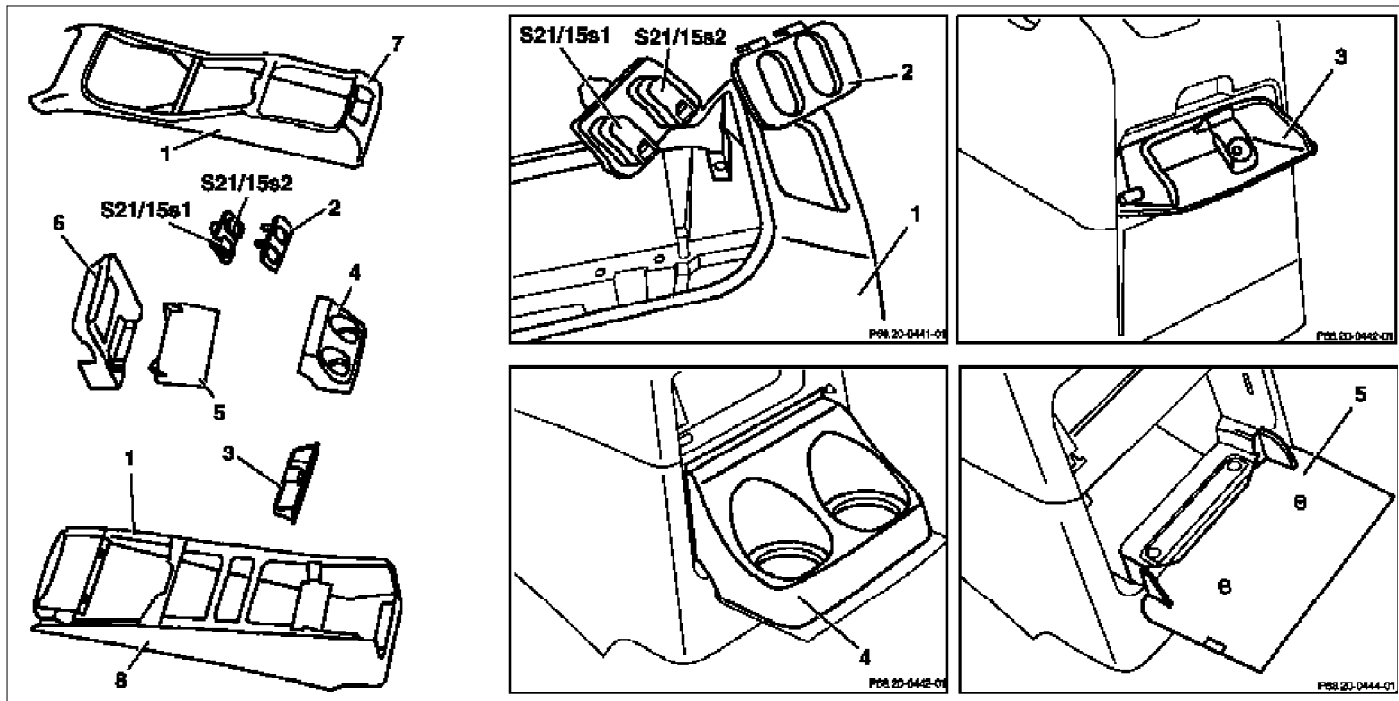


MODEL 163.113 /136 /154 /172 /174 up to 31.8.01



P68.20-0440-09

- 1 Center console.
2 Cover
3 Ashtray housing
4 Beverage holder

- 5 Cover
6 Internal component
7 Center console upper section
8 Center console bottom section

- S21/15s1 Left rear power window switch
S21/15s2 Right rear power window switch

Operation no. of operation texts or standard texts and flat rates

Range	Op. no.	Operation text
P	685115	REPLACING CENTER CONSOLE

Op. no.	Disassemble/assemble	Notes	Reference
1	Remove center console		AR68.20-P-2000GH
2	Lay center console (1) down on suitable subsurface with opening pointing downward		
3	Remove rear power window switches (S21/15s1) and (S21/15s2)	i Remove switch to inside and cover (2) to outside	
4	Remove rear ashtray housing (3)		
5	Unclip cup holder (4) from cover (5)		
6	Remove cover (5) for cup holder		
7	Remove inner section (6)	i Installation: Install inner section at top.	
8	Separate center console on top section (7) and bottom section (8)	i 6 screws	
9	Assemble in reverse sequence		