

ENGINE 112.942 in MODEL 163.154
ENGINE 112.970 in MODEL 163.157
ENGINE 113.942 in MODEL 163.172
ENGINE 113.981 in MODEL 163.174
ENGINE 113.965 in MODEL 163.175

Shown on engine 112**Left picture**

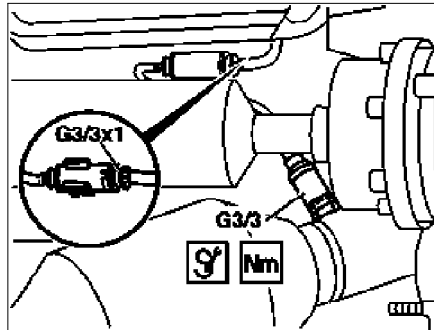
G3/3 Left O2 sensor upstream TWC [KAT]

G3/3x1 Connector of the left O2 sensor upstream of the catalytic converter

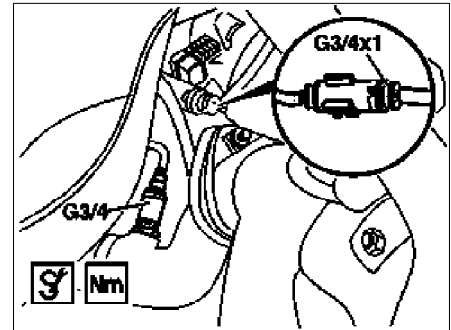
Right figure

G3/4 Right O2 sensor upstream TWC [KAT]

G3/4x1 Connector of the right O2 sensor upstream of the catalytic converter



P14.00-0256-01

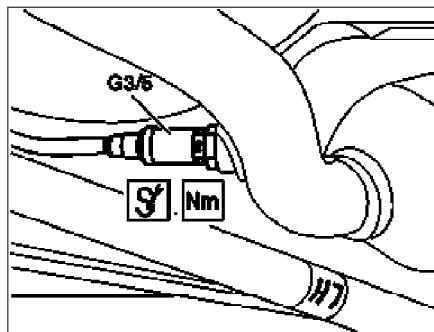


P14.00-0255-01

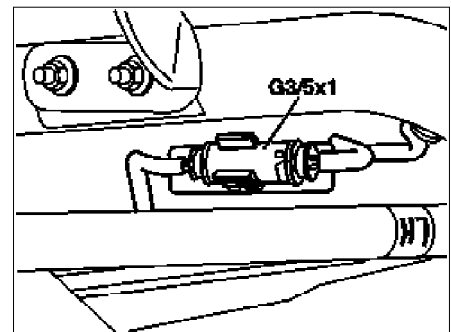
Shown on engine 112**Left picture**

G3/5 Left O2 sensor downstream TWC [KAT]

G3/5x1 Connector of the left O2 sensor downstream of the catalytic converter



P14.00-0257-01



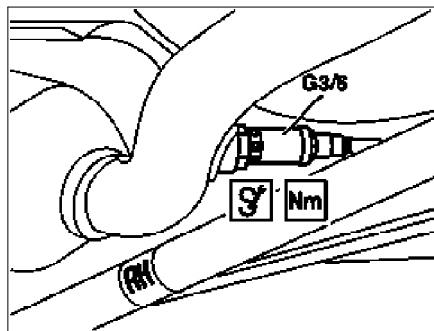
P14.00-0258-01

Shown on engine 112**Left picture**

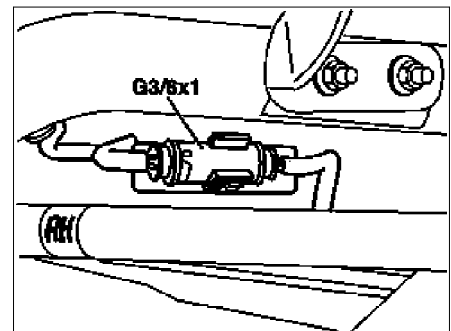
G3/6 Right O2 sensor downstream of TWC [KAT]

Right figure

G3/6x1 Connector of the right O2 sensor downstream of the catalytic converter



P14.00-0259-01



P14.00-0260-01

Fig. item etc.	Work instructions		
G3/4, G3/6	Right O2 sensor, upstream TWC and right O2 sensor downstream TWC [KAT]	i Installation: Coat thread of O2 sensors with heat-resistant lubricant. Nm 5	*BR00.45-Z-1006-06A *BA14.00-P-1001-01A *000589710300
G3/3, G3/5	Left O2 sensor upstream TWC [KAT] and left O2 sensor downstream TWC [KAT]	i Installation: Coat thread of O2 sensors with heat-resistant lubricant. Nm 5	*BR00.45-Z-1006-06A *BA14.00-P-1001-01A *000589710300
G3/4x1, G3/6x1	Right O2 sensor connector, upstream TWC, right O2 sensor connector, downstream TWC	Separate connectors	
G3/3x1, G3/5x1	Left O2 sensor connector, upstream TWC, left O2 sensor connector, downstream TWC	Separate connectors	

Nm O2 sensor

Number	Designation	Engine	Engine	Engine
		104, 111, 119, 120, 137, 166	112.910/911/912/ 913/914/915/ 916/920/ 921/922/923/ 940/941/942/ 943/944/945/ 946/947/949/ 953/955/ 960/961/970/ 972/973/975	113.940/941/ 942/943/944/ 945/946/948/ 960/961/962/ 963/965/966/ 967/968/980/ 981/982/984/ 986/992/993
BA14.00-P-1001-01A	O2 sensor to exhaust pipe/exhaust manifold	Nm	55	55



Box wrench bit

Auxiliary repair materials

Number	Designation	Order number
BR00.45-Z-1006-06A	Hot lubricating paste	000 989 76 51