

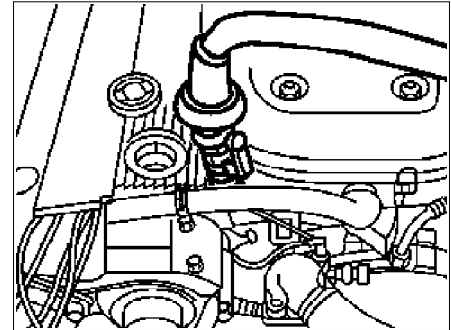
AP18.00-P-0101-02Z	Extract engine oil		
--------------------	--------------------	--	--

**Commercially available tools** (see Workshop Equipment Manual)

Number	Designation	Make (e. g.)	Order number
WH58.30-Z-1007-16A	Engine oil extractor	Deutsche Tecalemit Am Metallwerk 11 33659 Bielefeld	1.386950.2

**Shown on Engine 104**

- 1 Extract engine oil through the dipstick guide tube.  
 Perform only when engine is at normal operating temperature.



P18.00-0019-01