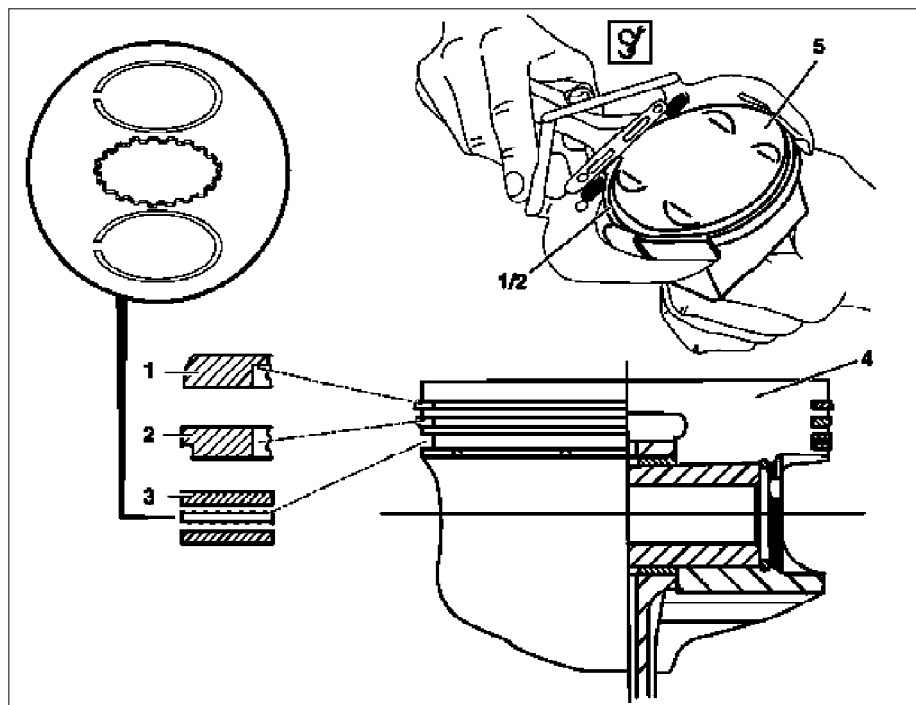


ENGINE 113 in MODEL 129, 163, 202, 203, 208, 209, 210, 211, 215, 220, 230

ENGINE 112 /945, 113.962 /982

- 1 Compression ring (plain compression ring)
- 2 Compression ring (taper-faced hook scraper ring)
- 3 Oil scraper ring
- 4 Piston
- 5 Piston crown



P03.10-2022-06

Fig. item, etc.	Work instructions		
4	Remove/install pistons		AR03.10-P-7021AV
1, 2, 3 G	Piston rings Pliers	transmission	*000589513700
i Removal:	Oil scraper ring	with the pliers. The oil scraper ring (3) must be removed and installed by hand.	
i Installation:	Compression rings	- Measure width of compression rings (1, 2). - Pay attention to installation position of compression rings (1, 2). The inscription "Top" or the manufacturer's designation must point toward the piston crown (5).	*BE03.10-P-1003-05B
1, 2	Measure the side clearance of the compression rings		AR03.10-P-7311-01V
1, 2	Measure end gap of the compression rings		AR03.10-P-7311-02V

Test values for piston rings

Number	Designation	Engine 112.910/ 911/912	Engine 112.913	Engine 112.920/ 921/922/923/940/ 941/942/943/944/ 945/946/947/948/ 960, 113.940/941/942/ 943		
BE03.10-P-1003-05B	Dimension	Plain compression ring	mm	83.2 X 1.5 X 3.1	89.9 X 1.5 X 3.1	89.9 X 1.5 X 3.1
		Taper-faced hook scraper ring	mm	83.2 X 3.5 X 3.5	89.9 X 1.75 X 3.5	89.9 X 3.5 X 3.5

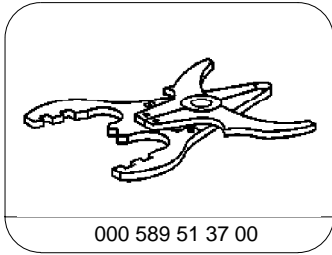
Test values for piston rings

Number	Designation	Engine 112.949

BE03.10-P-1003-05B	Dimension	Plain compression ring	mm	89.9 X 1.5 X 3.1
		Taper-faced hook scraper ring	mm	89.9 X 1.75 X 3.5

Test values for piston rings

Number	Designation			Engine 113.944/ 980/981/982/984	Engine 113.960/ 961/ 962/ 963/ 965/ 968/	Engine 113.992 AMG
BE03.10-P-1003-05B	Dimension	Plain compression ring	mm	97.0 X 1.2 X 3.5	97.0 X 1.5 X 3.1	97.0 X 1.2 X 3.5
		Taper-faced hook scraper ring	mm	97.0 X 1.5 X 4.0	97.0 X 3.5 X 3.5	97.0 X 1.75 X 3.5



Pliers