

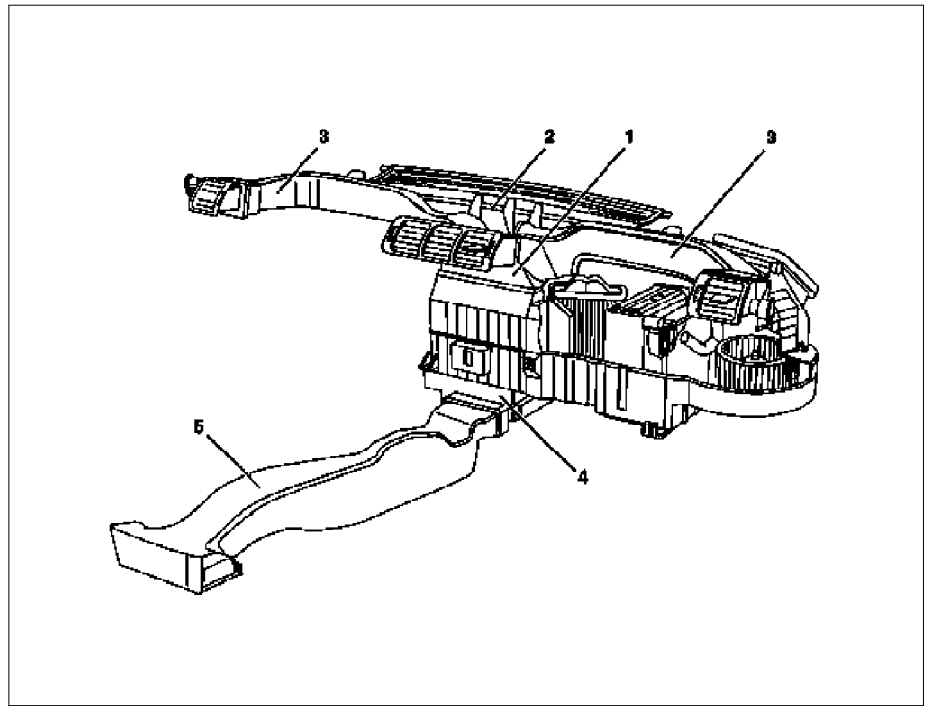
The lateral nozzle and side window defroster nozzle (3) air ducts are on the left and right below the instrument panel.

The windshield defroster nozzle air duct (2) is on top of the heater/evaporator housing (front center) below the instrument panel.

The center nozzle air duct (1) is on top of the heater box/evaporator housing behind the center nozzle.

The front footwell air duct (4) is integrated in the heater/evaporator housing.

The rear footwell air duct (5) is below the center console.



P83.10-2014-06