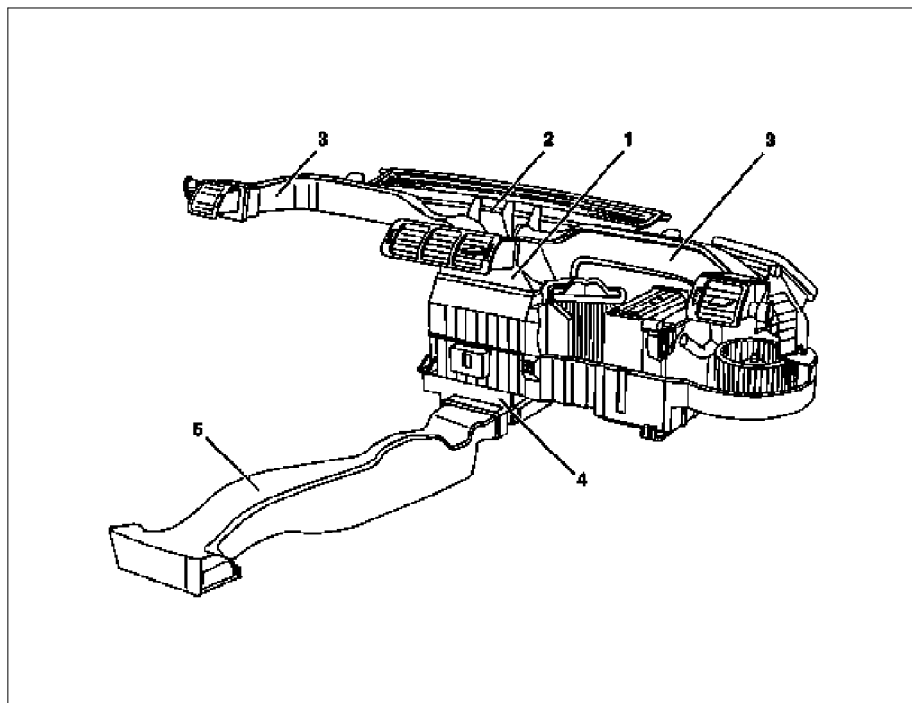


**MODEL 163**

Design shown up to 31.08.01

- 1 Center nozzle air duct
- 2 Windshield defroster nozzle air duct
- 3 Lateral nozzle and side window defroster nozzle air duct
- 4 Front footwell air duct
- 5 Rear footwell air duct



P83.10-2014-06

	Air duct locations	up to 31.08.01 as of 1.09.01	GF83.10-P-2101-01GH GF83.10-P-2101-01GI
	Air ducts task	The air ducts (1 - 5) lead the air that is required to ventilate the vehicle from the heater/evaporator housing to the air vents in the vehicle interior.	