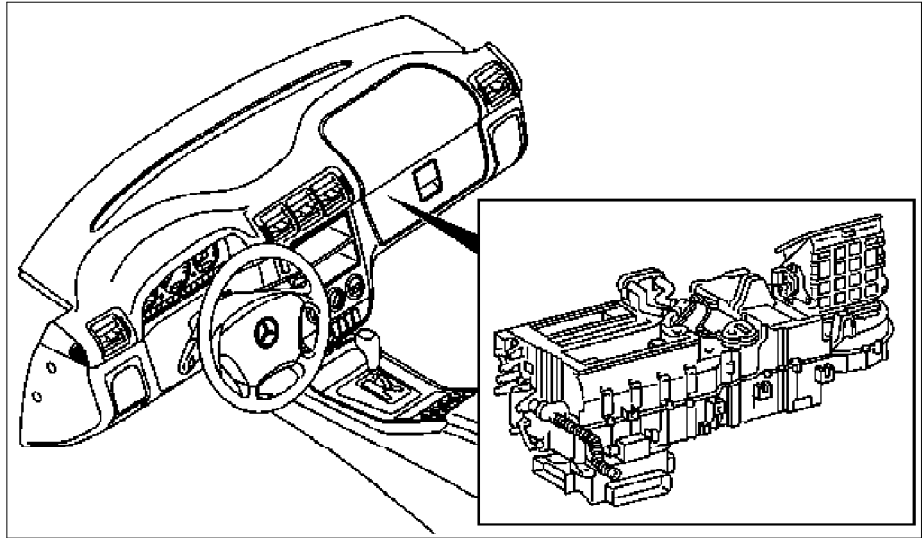


The evaporator housing (1) is located below the instrument panel.



P83.20-2012-05