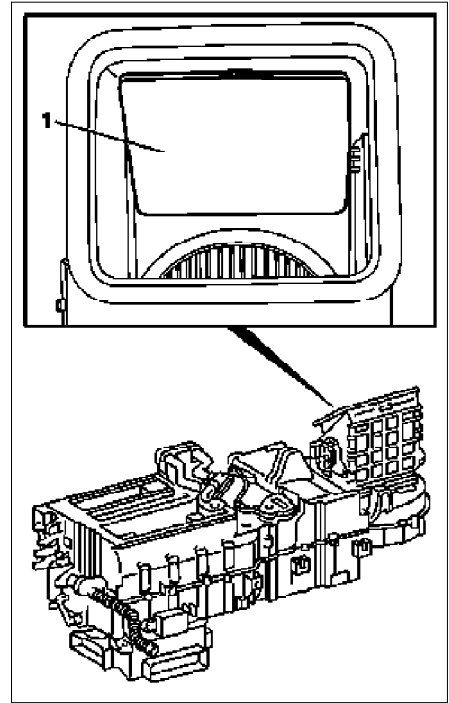


The fresh air/recirculated air flap (1) is located at the top of the heater/A/C housing.



P83.20-2013-03