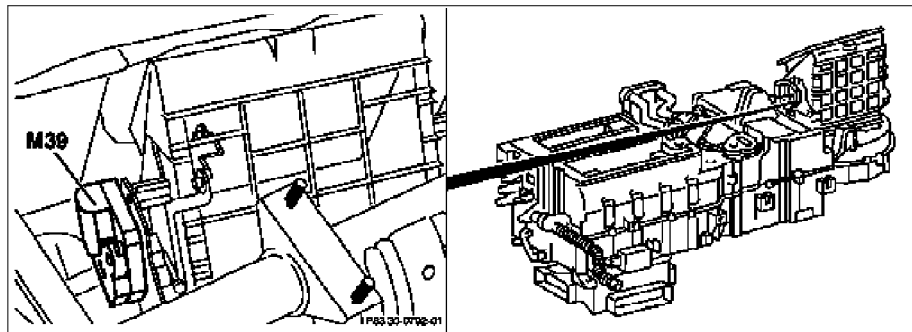


The fresh air/recirculated air flap actuator motor (M39) is located at the side of the air intake housing on the evaporator housing.



P83.30-1092-04