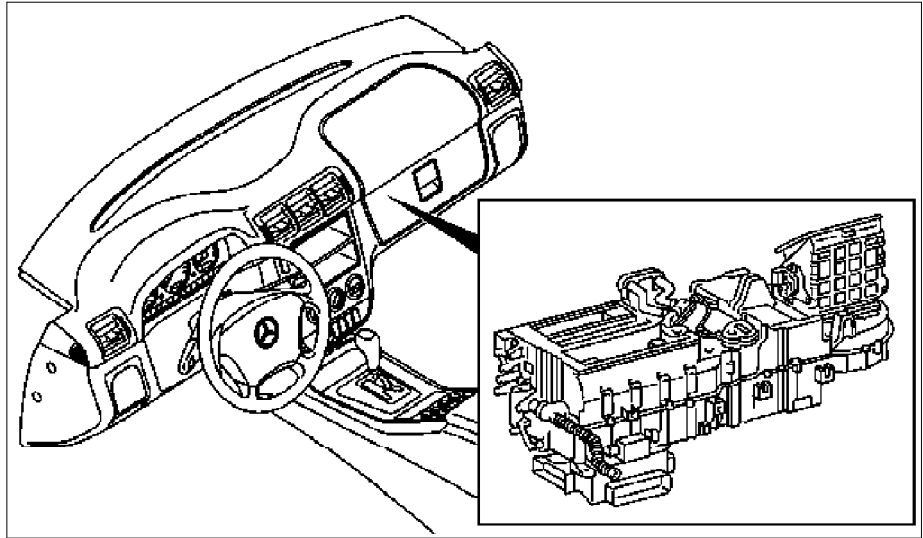


The heater housing (1) is located beneath the instrument panel.



P83.20-2012-05