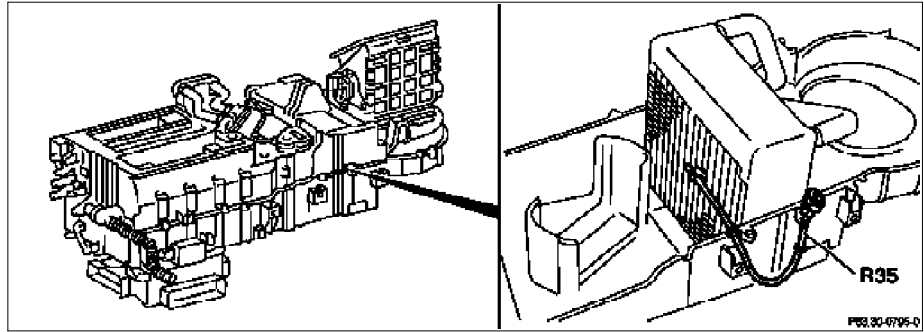


The icing protection temperature sensor (R35) is located at the center rear of the evaporator housing.



P83.57-0220-04