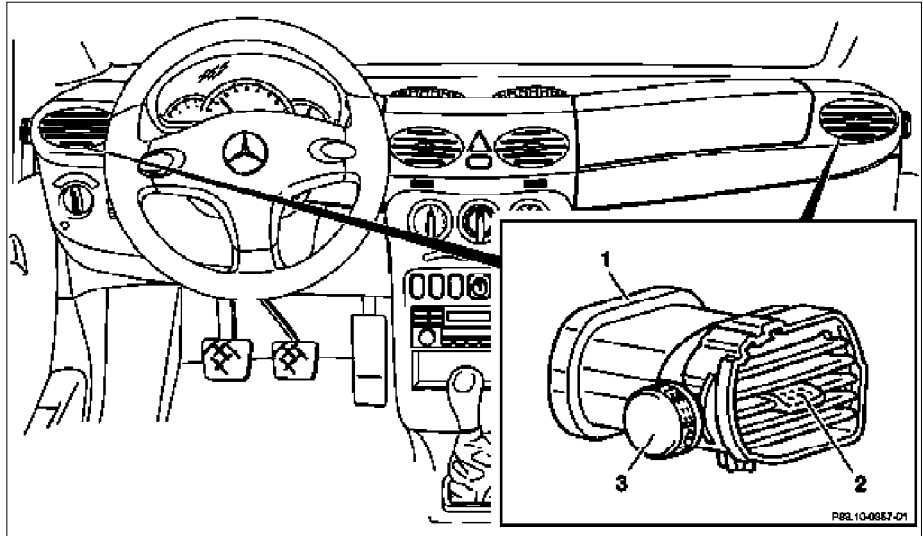


The side nozzles (1) are located on the instrument panel on the left and right.



P83.10-0356-05