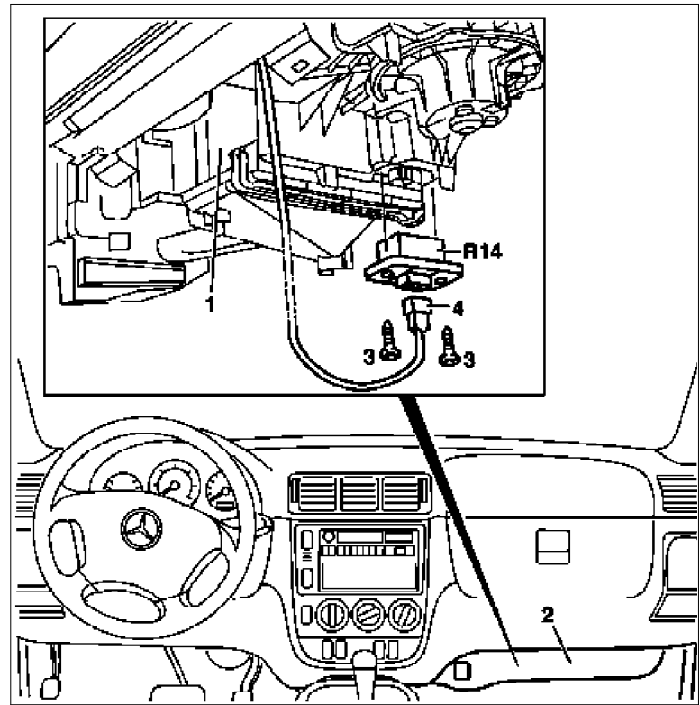


MODEL 163.113 /128 /136 /154 /157 /172 /174 /175

Shown on model 163 up to VIN A289564, X754619

- 1 Heater housing
- 2 Cover below instrument panel
- 3 Bolts
- 4 Connector
- R14 Blower motor preresistor group



P83.25-0404-12

☒ ☒	Remove/install		
1	Remove cover below instrument panel (2) (on right)	Up to VIN A145272, X708318. As of VIN A145273, X708319.	AR68.10-P-1520GH AR68.10-P-1520GI
2	Disconnect connector (4) on blower motor series resistor group (R14)		
3	Unscrew screws (3) from blower motor series resistor group (R14) on heater housing (1)		
4	Remove blower motor series resistor group (R14)		
5	Install in the reverse order		