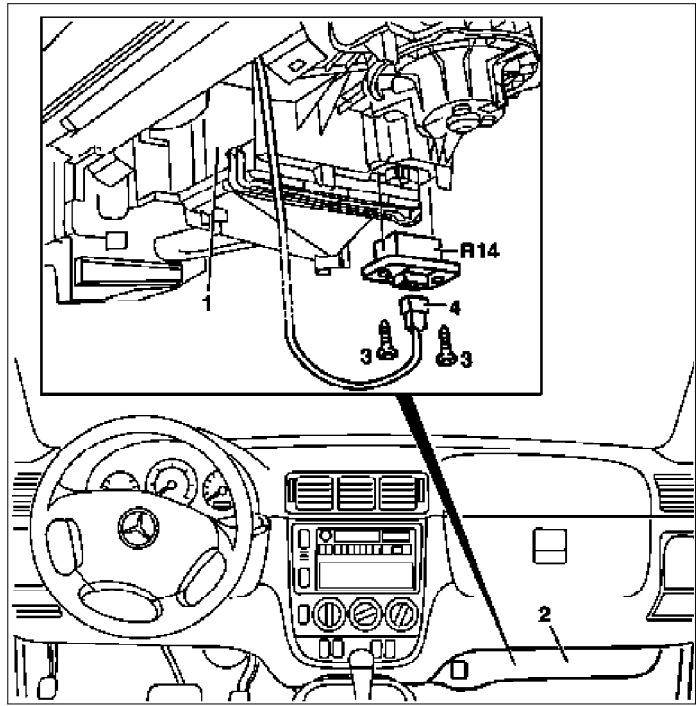


The series resistor group (R14) is at the bottom right of the heater/evaporator housing (1) behind the bottom section of the instrument panel at the passenger side (2).



P83.25-0404-12