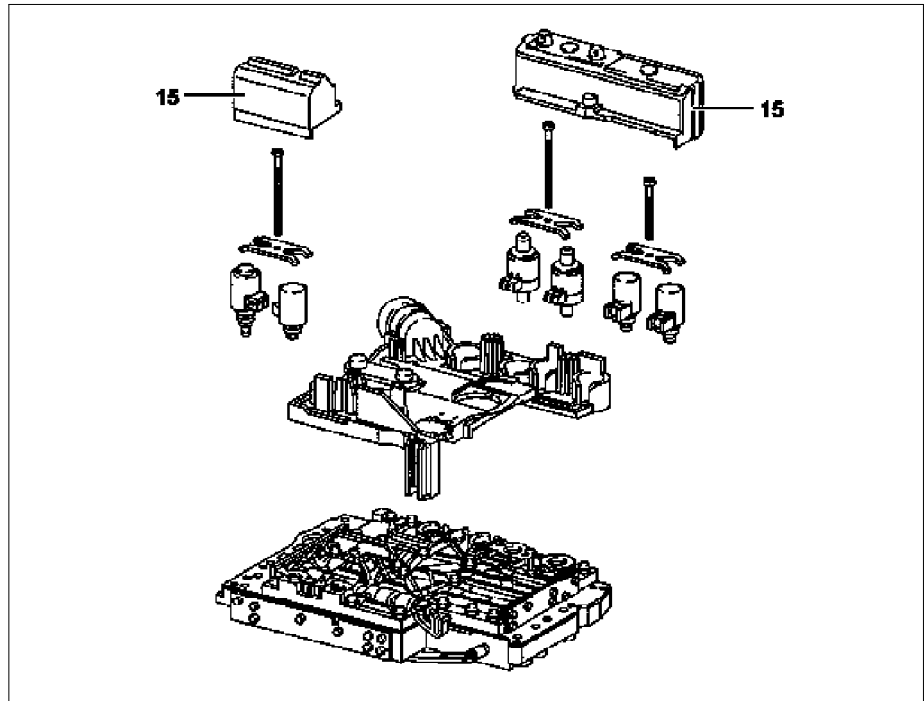


TRANSMISSION**722.6 as of 1.8.97****15 Caps**

To prevent a short-circuit due to metal abrasion or metal shavings on the contact tongues of the solenoid valves, all solenoid valves are covered with caps.



P27.19-0321-06