

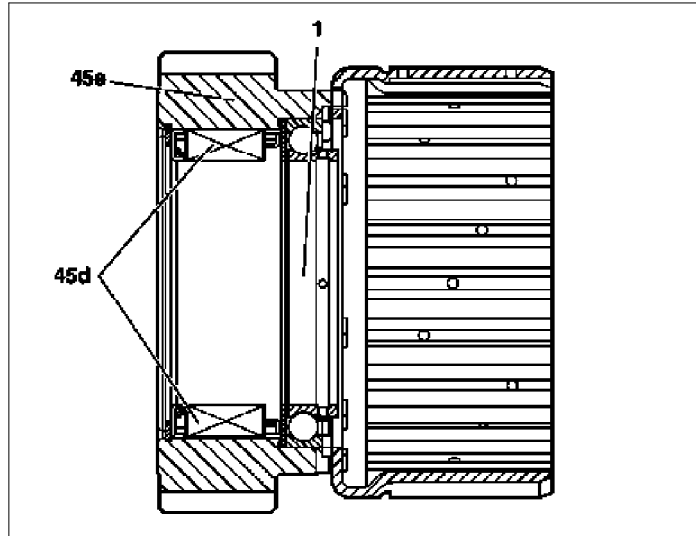
**TRANSMISSION 722.60# /61# /660 /662 /664 /665 /69# ## as of 1572721 as of 1.6.99,
722.62# /63# /650 /654 /661 /663 /666 /669 ## as of 1574575 as of 2.6.99**

1 Anti-friction bearing

45d Freewheel

45e Sun gear with inner plate carrier K3, rear planet set

The friction bearing bush in the sun gear (45e) has been replaced with an anti-friction bearing (1). This improves the bearing of the hollow shaft and the freewheel (45d) is no longer worn away by the friction bearing bush.



P27.50-2046-11