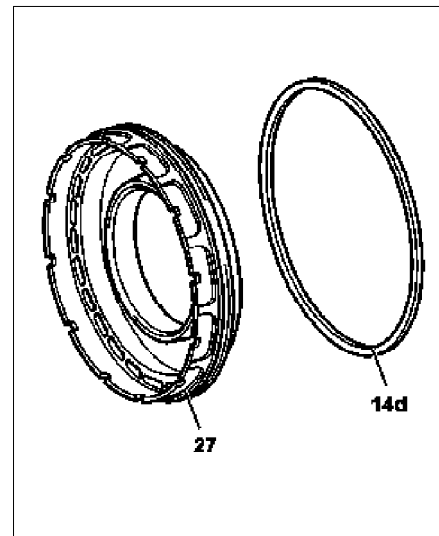


**TRANSMISSION 722.6## ## as of 0552036 as of 1.8.97**

14d Sealing ring

27 Pistons

To improve the piston guide and avoid the piston jamming the position of the sealing ring (14d) on the piston (27) was changed.



P27.60-2009-02