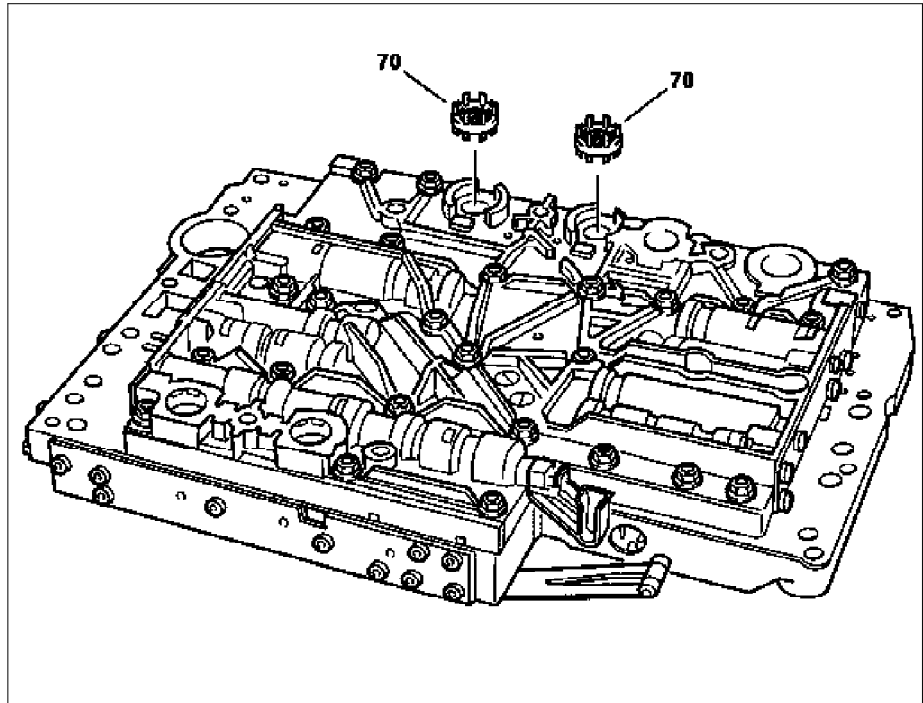


TRANSMISSION 722.6## ## as of 0538312**70 Strainer**

Strainer to protect against dirt and metal shavings for the modulating pressure and shift pressure control solenoid valves in the valve housing.

As a result also new control solenoid valves with a new part number.



P27.35-0248-06