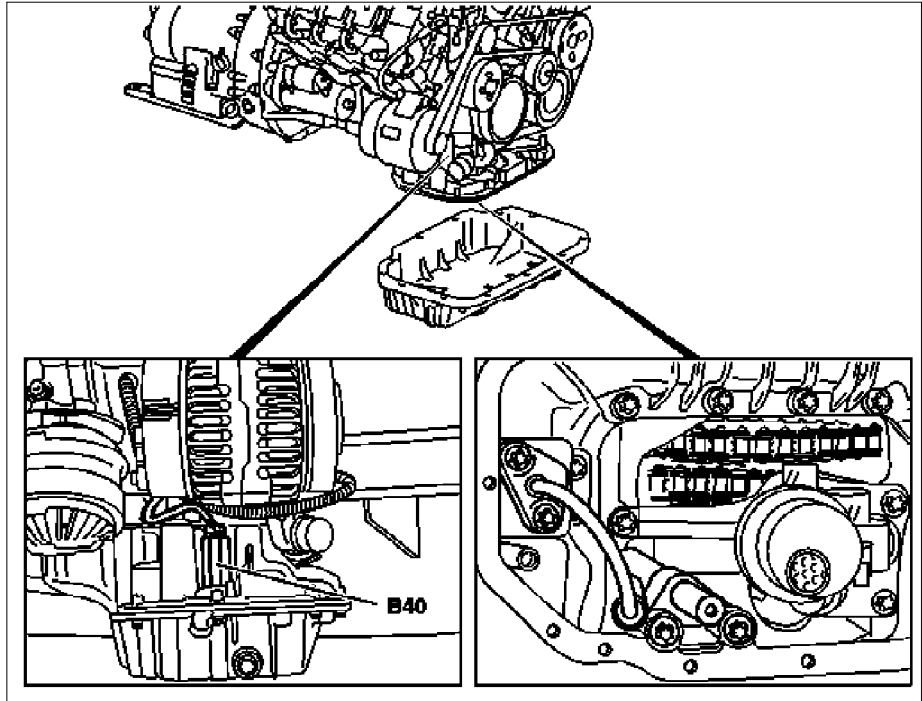


Location of oil sensor, engine 112, 113 in
model 129, 163, 170, 202, 208, 210, 215, 220
Model 203 with 4MATIC
Model 211 with 4MATIC

B40 Oil sensor (oil level, temperature
and quality)



P18.40-0247-06