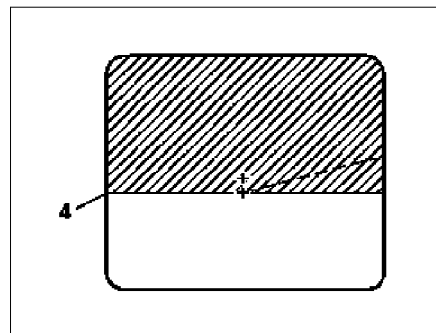


- 1 The light-dark boundary must be as horizontal as possible at the height of the appropriate dividing line (4), correct if necessary.
- 2 For model 140 sedan as of approx. 03.94, 168 and 202: Check seat of bulb.



P82.10-0205-01

**Model 163.113 /154 #A as of 289565,  
163.113 #X as of 754620,  
163.128 /154 /157 /175 except CODE (U49) Styling package**

*Arrow: Position of adjusting screw*



P82.10-3633-01