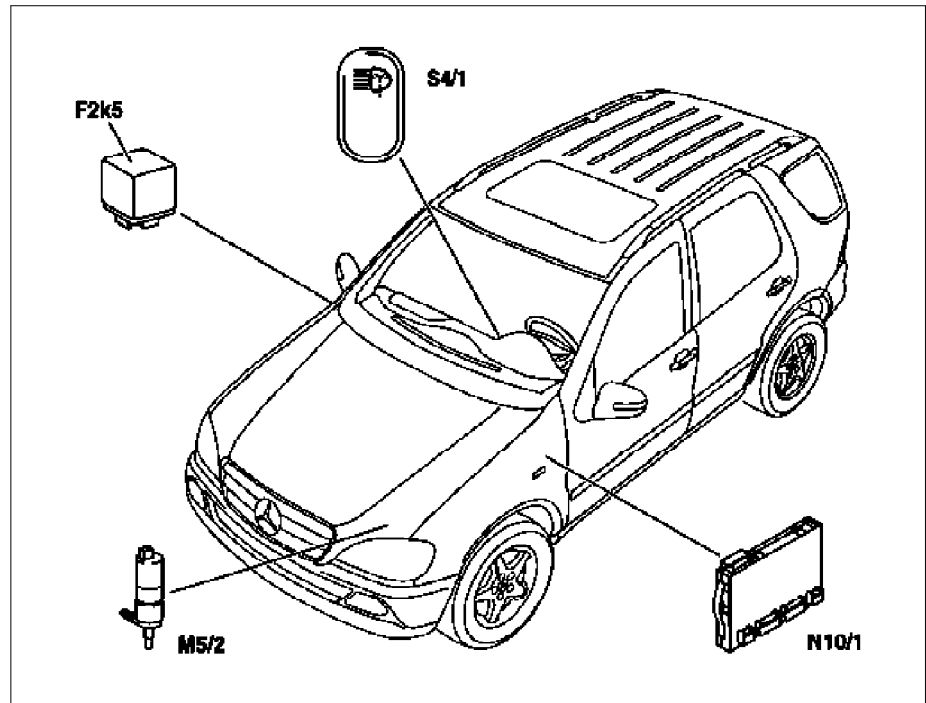


F2k5 Relay 5  
M5/2 HCS pump  
N10/1 Extended activity module (EAM)  
S4/1 HCS [SRA] switch



P82.15-2083-06