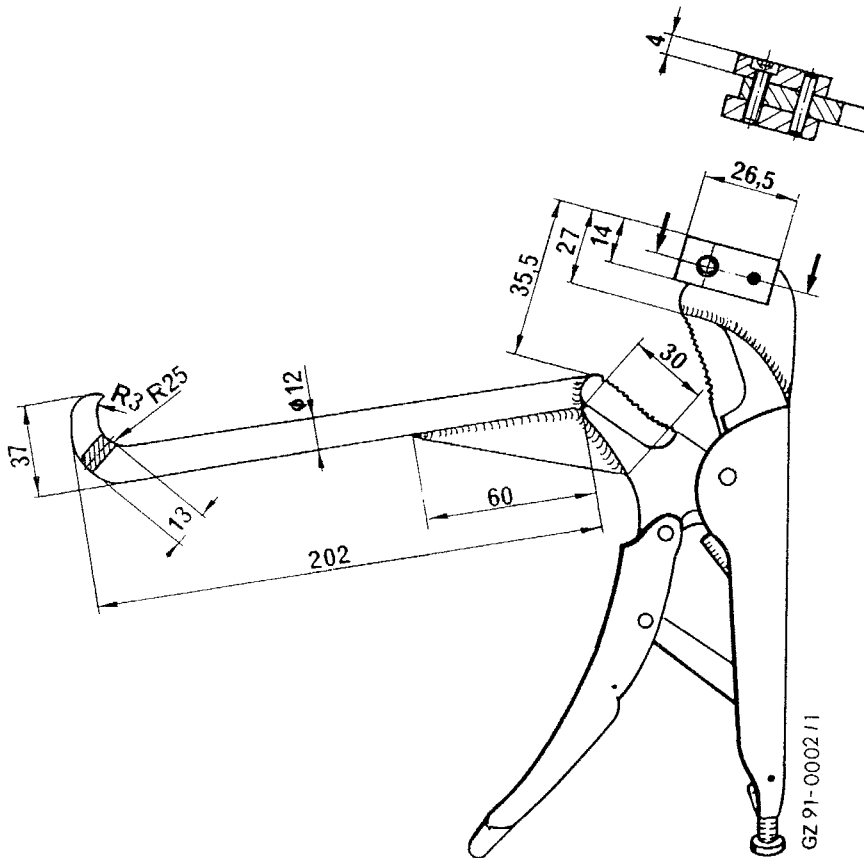
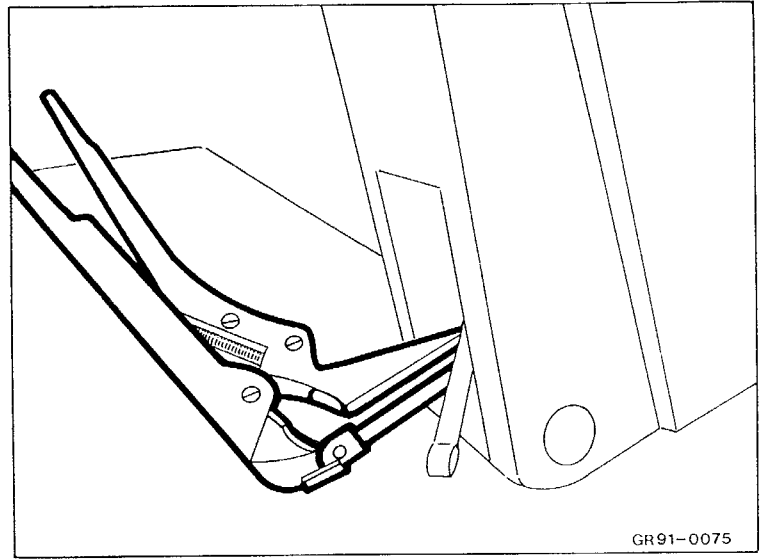


Install in reverse sequence.

## Installation note

- Install front bolts and secure.
- Insert rear bolts, engage linkage.
- Compress pressurized shock absorbers using suitable tool (assembly pliers) and engage.



**Assembly pliers** (shop-made)