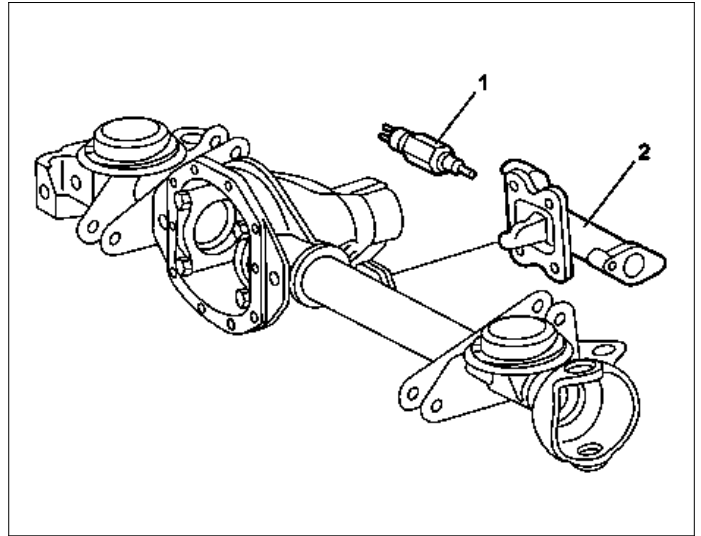


MODEL MODEL 460 with CODE (A70) Front differential lock
 MODEL MODEL 461 (except 461.331) with CODE (A70) Front differential lock
 MODEL 463 (except 463.270 /271) with CODE (A70) Front axle differential lock up to model year 2013 /facelift 2012

- 1 Pressure switch
- 2 Shift cylinder

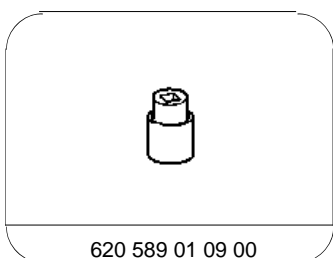


P33.40-0216-11

Remove/install			
1	Screw in pressure switch (1)	Nm Initial torque S	*BA33.40-P-1004-01A *620589010900
2	Secure cylindrical actuator (2) in the axle housing so that it can still be moved quite easily		
3	Operate cylindrical actuator and lock dog clutch in position		
4	Move cylindrical actuator until it contacts the stop on the dog clutch detectably	i The inner spring must not be tensioned, i.e. when released the cylindrical actuator must not move backwards.	
5	Tighten the cylindrical actuator (2) securely	Nm	*BA33.40-P-1003-01A
6	Tighten pressure switch (1)	Nm Final torque S	*BA33.40-P-1004-01A *620589010900

Nm Differential lock cylinder

Number	Designation		Model 460, 461	Model 463
BA33.40-P-1003-01A	Bolt, cylindrical actuator to axle tube	Nm	25	25
BA33.40-P-1004-01A	Pressure switch to shift cylinder	Stage 1	Nm 20	20
		Stage 2	Nm 105	105



Wrench socket