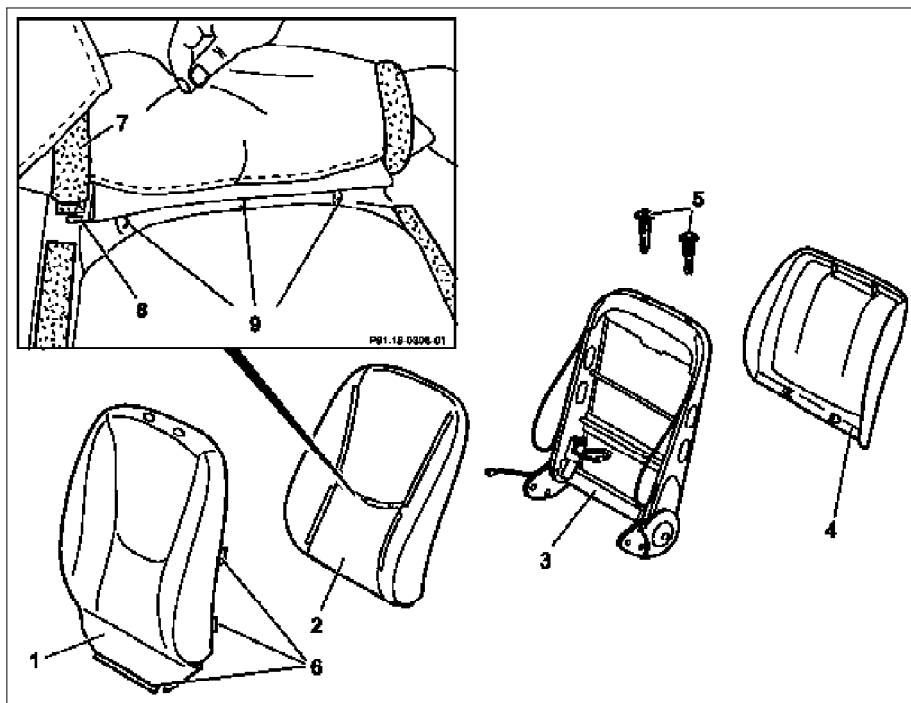


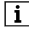
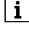
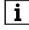


MODEL 163.113 /128 /136 /154 /157 /172 /174 /175

- 1 Front seat backrest cover
- 2 Front seat backrest cushion
- 3 Front seat backrest frame
- 4 Backrest shell
- 5 Head restraint guides
- 6 Insert rails
- 7 Velcro closure
- 8 Wire of crosswise stapling
- 9 Wire rings



P91.18-0394-06

 	Remove/Install		
1	Remove backrest shell (4) from the front seat backrest		AR91.10-P-1915GH
2	Pull insert rails (6) of the front seat backrest cover (1) off the front seat backrest frame (3)	 Relieve the load on the front seat backrest cover by pressing down the front seat backrest frame.	
3	Compress the bottom end of the head restraint guides (5) and pull out of the front seat backrest frame (3)	 Installation: Install headrest guide with release button on the left.	
4	Detach the Velcro closure (7) from the front seat backrest cover (1) up to the crosswise stapling of the front seat backrest cushion (2)		
5	Bend up the wire rings (9) of the crosswise stapling (8)		
6	Unhook wire of cross stapling (8) on the front seat backrest cover (1) from the open wire rings (9)		
7	Pull the remaining Velcro closure (7) of the front seat backrest cover (1) from the front seat backrest cushion (2)		
8	Remove front seat backrest cover (1) from the front seat backrest cushion (2)	 Installation: Align the front seat backrest cover with the cutouts in the head restraint guide.	
9	Install in the reverse order		