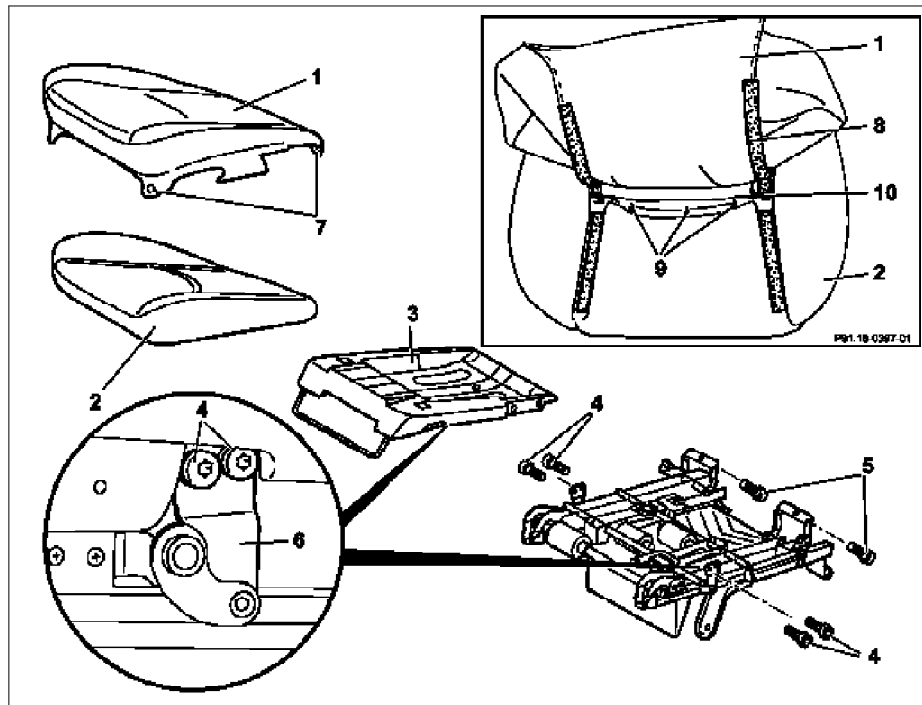


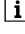


MODEL 163.113 /128 /136 /154 /157 /172 /174 /175

- 1 Front seat cover
- 2 Front seat cushion
- 3 Front seat frame
- 4 Internal Torx drive bolts (front)
- 5 Internal Torx drive bolts (rear)
- 6 Seat adjustment mechanism
- 7 Plug in clips
- 8 Velcro closure
- 9 Wire rings
- 10 Crosswise stapling



P91.18-0396-06

 	Remove/install		
1	Remove front seat backrest		AR91.10-P-1060GH
2	Pull insert rails of front seat cover (1) off front seat frame (3)	 Relieve the load on the front seat cover by pressing down the front seat frame.	
3	Press the plug-in clips (7) of the front seat cover (1) out of the front seat frame (3)		
4	Pull off the Velcro closure (8) from the front seat cover (1) up to the crosswise stapling (10) of the front seat cushion (2)		
5	Bend open the wire rings (9) of the crosswise stapling (10)		
6	Unhook wire for the crosswise stapling (10) on front seat cover (1) from opened wire rings (9)		
7	Pull remaining Velcro closure (8) off the front seat cushion (2)		
8	Remove front seat cover (1) from front seat cushion (2)		
9	Install in the reverse order		