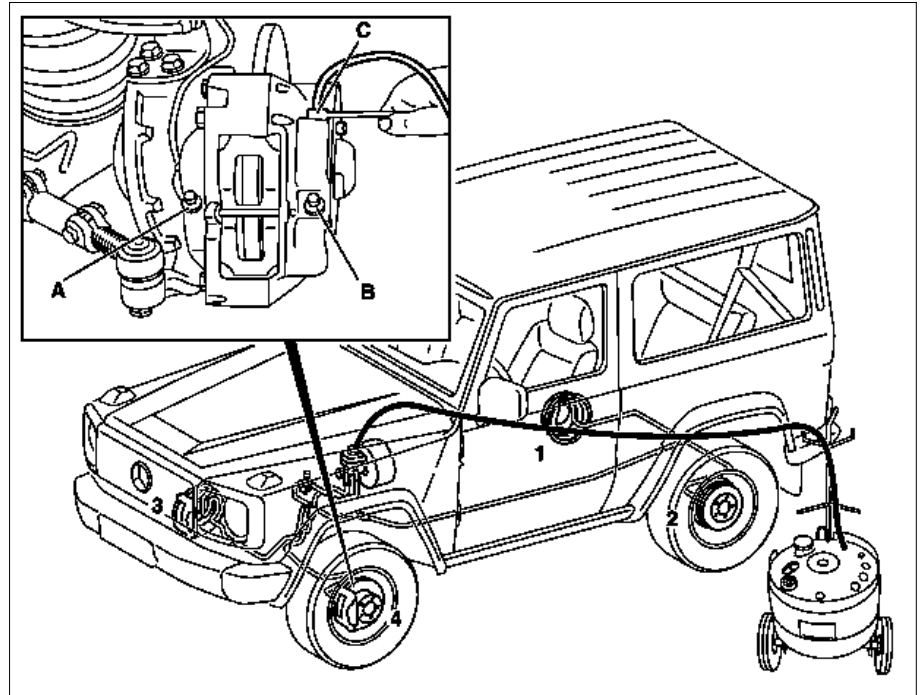


MODEL 460, 461.217 /219 /223 /227 /229 /238 /239 /249 /266 /267 /302 /304 /321 /322 /323 /326 /327 /328 /329 /331 /332 /334 /335 /336 /337 /338 /341 /342 /344 /345 /346 /365 /366 /367 /368 /401 /402 /403 /404 /405 /450 /451 /452 /454 /455 /456 /458 /459, 463.200 /202 /204 /206 /207 /208 /209 /220 /221 /222 /224 /225 /227 /228 /230 /231 /232 /233 /236 /237 /240 /241 /243 /244 /245 /246 /247 /249 /250 /254 /300 /303 /304 /307 /308 /309 /320 /321 /322 /323 /324 /325 /327 /328 /330 /331 /332 /333 /340 /341

MODEL 463.248 except CODE (979) Special protection version

- 1, 2 Rear wheel brake
 3, 4 Front fixed brake caliper
 A Inner bleed screw, bottom
 B Outer bleed screw, bottom
 C Outer bleed screw, top



P42.10-0324-06

Picture item , etc.	Work instructions		
Danger!	Risk of poisoning caused by swallowing brake fluid. Risk of injury caused by brake fluid coming into contact with skin and eyes.	Only pour brake fluid into suitable and appropriately marked containers. Wear protective clothing and eye protection when handling brake fluid.	AS42.50-Z-0001-01A
Danger!	Risk of accident when commissioning the vehicle due to a lack of braking effect when the service brake is operated for the first time after repair work	Before starting engine, actuate brake pedal several times until the pressure is built up and maintained in the brake system.	AS42.50-Z-0002-01A
	Brake fluid notes	All models	AH42.50-P-0001-01A
	Notes on repairs to brake system	All models	AH42.00-P-0003-01A
	Carrying out bleeding operation	<p> Check brake fluid level in expansion reservoir and correct if necessary.</p> <p>The deflating sequence on the front fixed brake caliper (3, 4) must be adhered to:</p> <ul style="list-style-type: none"> ● Inner bleed screw, bottom (A) ● Outer bleed screw, bottom (B) ● Outer bleed screw, top (C) <p> Bleed screw on front axle fixed caliper</p> <p> Bleed screw to rear axle wheel brake cylinder</p> <p> Bleed screw on rear axle floating caliper</p>	AR42.10-P-0010-02GG *BA42.10-P-1001-02B *BA42.10-P-1001-08A *BA42.10-P-1001-17B
AP	Detach, attach front wheels		AP40.10-P-4050G

Front axle fixed brake caliper

Number	Designation		Model 460	Models 461, 463
BA42.10-P-1001-02B	Bleed screw at front axle fixed brake caliper	Nm	14	14

Nm Brake cylinder

Number	Designation		Model 460, 461	Model 463
BA42.10-P-1001-08A	Bleed screw to rear axle wheel brake cylinder	Nm	14	14

Nm Rear axle floating brake caliper

Number	Designation		Model 461, 463 except model 463.270/271
BA42.10-P-1001-17B	Bleed screw at rear axle floating caliper	Nm	15