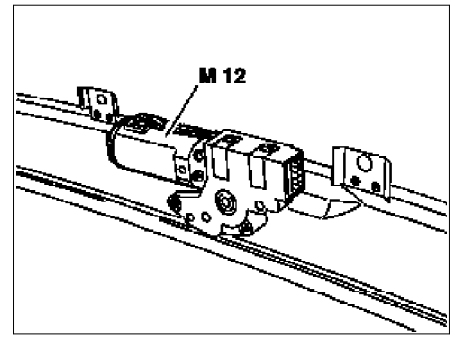


The motor for the **sliding /pop-up roof drive assembly (M12)** is located beneath the overhead control module.



P77.20-0274-01