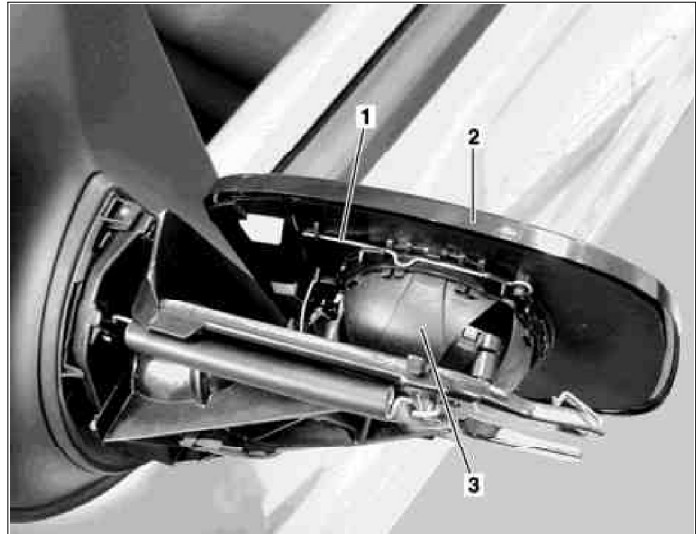


MODEL 163.113 /154 /174 #A as of 289565,
 163.113 /154 /174 #X as of 754620,
 163.128 /157 /175

- 1 Locking mechanism
- 2 Mirror glass
- 3 Housing



P88.70-2126-11

☒ ☒	Removing and installing		
1	Remove outside rearview mirror covering		AR88.70-P-9040GI
2	Open locking mechanism (1)		
3	Separate mirror glass (2) from housing (3)	<p>⚠ Separate carefully to avoid braking retaining clips.</p> <p>i Installation: Ensure that retaining clips catch properly.</p>	
4	Disconnect electrical connectors from mirror heater	i 3 electrical connectors.	
5	Install in the reverse order		