

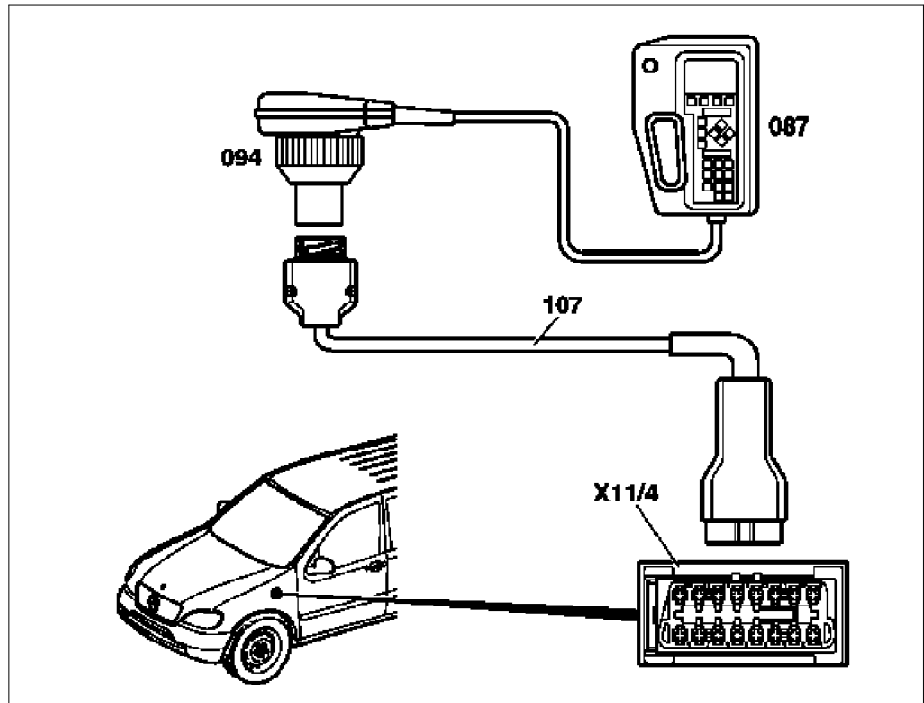
AD00.00-P-2000-03C	Connect hand-held tester (HHT), read out diagnostic trouble code memory	Model 163 up to 31.08.01 Model 168	
--------------------	---	---------------------------------------	--

**Workshop equipment/MB testers** (see Workshop Equipment Manual)

WE58.40-Z-1001-06A	Hand-held tester (HHT), order number 6511 0001 99
WE58.40-Z-1002-06A	Test cable (multiplexer)
WE58.40-Z-1009-06A	Adapter cable (HHT) for test connector (X11/4, 16-pin), order number 6511 0090 99

- 1 Connect hand-held tester (087) to diagnosis test connector (X11/4) in interior using test cable (multiplexer) (094) and adapter cable (107) .
- 2 Switch on ignition.
- 3 According to instructions in display :
  - a) Read out/erase fault memory
  - b) Read out actual values
  - c) Perform actuations
  - d) Program control modules
- 4 Disconnect HHT.

- 087 Hand-held tester (HHT)
- 094 Test cable (multiplexer)
- 107 Adapter cable (HHT) for datalink connector (X11/4, 16-pin)
- X11/4 Diagnostic data link connector



P42.35-0234-06

**i** Note system-specific deviations listed in respective diagnosis description in chapter entitled "Diagnosis Previous Knowledge".

Stored faults possibly caused by cables being disconnected during testing or by simulation must be erased from the fault memory once the work is completed.